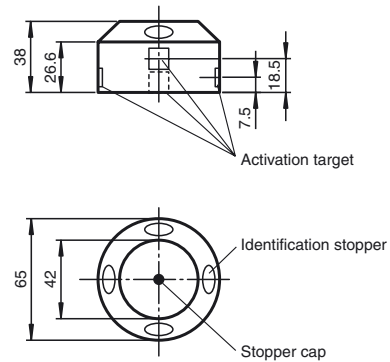




Dimensions



Model number

BT65-Y121361

Activator for F31 series

Features

- Two fixed actuating lugs, offset by 90°
- Actuating lug, can be rotated through 90°

Technical data

General specifications

Ring diameter	≤ 65 mm
Spring ring height	≤ 6 mm

Mechanical specifications

Shaft diameter	< 58 mm
Shaft height	20 mm and 30 mm
Fixing hole pattern	30 x 80 mm

Material

Housing	PA
Spacer disk	PA (1 unit, 10 mm strong)
Stopper cap	PBT (1 unit black)
Identification stopper	PP (2 units yellow, 2 units black)
Fixing screw	for activator: V2A (1 unit M6 x 25) for sensors - F31: V2A (4 items M5 x 16, 2 items M5 x 12)
Activation target	V2A (integrated)

Notes

The activator consists of a conductive plastic material which prevents static charging and allows installation in potentially explosive environments.