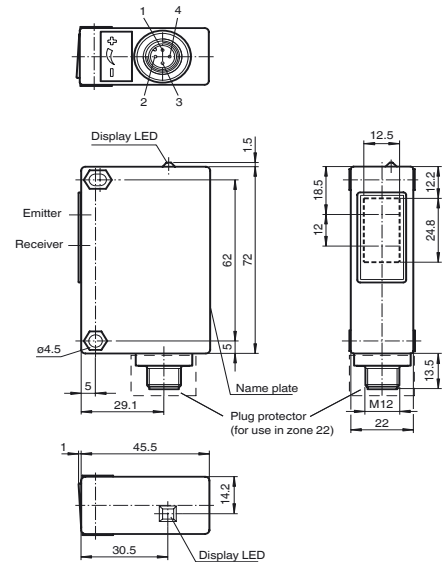
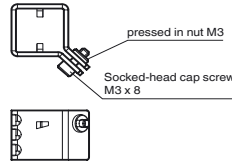




Dimensions

Plug protector
(for use in zone 22)



Model Number

RL32-55-Ex2/47/73c

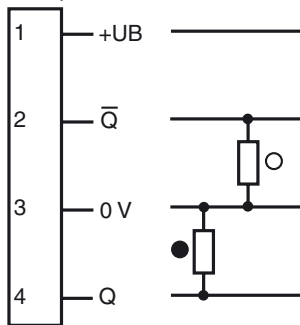
Retroreflective sensor with polarization filter
with 4-pin, M12 x 1 plastic connector

Features

- ATEX-approval for zone 2 and zone 22
- Sleek design, especially for storage and conveyor systems
- Excellent optical performance data
- Scratch-resistant and solvent resistant glass lens

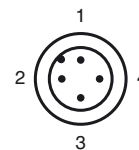
Electrical connection

Option: /47



○ = Light on
● = Dark on

Pinning according



Release date: 2012-07-06 13:25 Date of issue: 2012-08-07 121161_eng.xml

Technical data**General specifications**

Effective detection range	0 ... 10 m
Reflector distance	0.3 ... 10 m
Threshold detection range	14 m
Reference target	H60 reflector
Light source	LED
Light type	modulated visible red light
Diameter of the light spot	approx. 250 mm at 10 m detection range
Angle of divergence	approx. 3 °
Ambient light limit	80000 Lux

Functional safety related parameters

MTTF _d	401 a
Mission Time (T _M)	20 a
Diagnostic Coverage (DC)	0 %

Indicators/operating means

Function display	LED yellow, lights up when light beam is free, flashes when falling short of the stability control
------------------	--

Electrical specifications

Operating voltage	U _B	10 ... 30 V DC
Ripple		10 %
No-load supply current	I ₀	40 mA

Output

Switching type	light/dark on	
Signal output	2 PNP, complementary, short-circuit protected, reverse polarity protected	
Switching voltage	30 V DC	
Switching current	max. 50 mA	
Switching frequency	f	250 Hz
Response time		2 ms

Ambient conditions

Ambient temperature	-20 ... 50 °C (-4 ... 122 °F)
Storage temperature	-20 ... 60 °C (-4 ... 140 °F)

Mechanical specifications

Protection degree	IP65
Connection	Plastic connector M12 x 1, 4-pin
Material	
Housing	Terluran GV15
Optical face	glass
Mass	60 g

General information

Use in the hazardous area	see more details for the use in hazardous areas
Category	3G; 3D

Compliance with standards and directives

Directive conformity	
EMC Directive 2004/108/EC	EN 60947-5-2:2007
Standard conformity	
Product standard	EN 60947-5-2:2007 IEC 60947-5-2:2007

Approvals and certificates

CCC approval	Products with a maximum operating voltage of ≤36 V do not bear a CCC marking because they do not require approval.
--------------	--

ATEX 3G (nA)

Instruction

Manual electrical apparatus for hazardous areas**Device category 3G (nA)**

for use in hazardous areas with gas, vapour and mist

Directive conformity

94/9/EG

Standard conformity

EN 60079-0:2009 , EN 60079-15:2010 , EN 60079-28:2007

Ex-identification

⊕ II 3 G Ex nAc op is IIC T4

Installation, Commissioning

Laws and/or regulations and standards governing the use or intended usage goal must be observed. Attach the connector fuse provided so that the connector cannot be unplugged without using tools. Only connections that are disconnected from the power supply may be unplugged.

Maintenance

No modifications must be undertaken on apparatus, which is operated in hazardous areas. Repairs to such apparatus are not permissible.

Special conditionsMaximum permissible ambient temperature T_{Umax} 50 °C (122 °F)

Protection from mechanical danger

The apparatus must be protected from mechanical damage.

Protection from UV light

The sensor must be protected against harmful UV radiation. This can be achieved by using the sensor indoors.

Protection of overvoltage

Precautions must be taken to prevent the rated voltage being exceeded by more than 40 % due to transient disturbances.

Protect from direct sunlight

Set up the apparatus so that optical components cannot come into contact with direct sunlight.

Other conditions

The optical light from the emitter must not be focused. The plug connector must not be disconnected under voltage. When the plug connector is disconnected the ingress of dirt into the inner areas (i.e. the areas, which are not accessible in the plugged-in condition) must be prevented. The plug connection can only be separated using a tool. This is achieved by using the unlocking protection "Plug protector" (Mounting accessory from Pepperl + Fuchs).

ATEX 3D

Instruction

Manual electrical apparatus for hazardous areas

Details for use in hazardous areas

Electrical apparatus for potentially explosive atmospheres

Directive conformity

94/9/EG

Standard conformity

EN 60079-31:2009

Ex-identification

Ⓔ II 3 D Ex tc IIIC T75 °C

Installation, Commissioning

Laws and/or regulations and standards governing the use or intended usage goal must be observed. Attach the connector fuse provided so that the connector cannot be unplugged without using tools. Only connections that are disconnected from the power supply may be unplugged.

Maintenance

No modifications must be undertaken on apparatus, which is operated in hazardous areas. Repairs to such apparatus are not permissible.

Special conditions

Protection from mechanical danger

The apparatus must be protected from mechanical damage.

Protection from UV light

The sensor must be protected against harmful UV radiation. This can be achieved by using the sensor indoors.

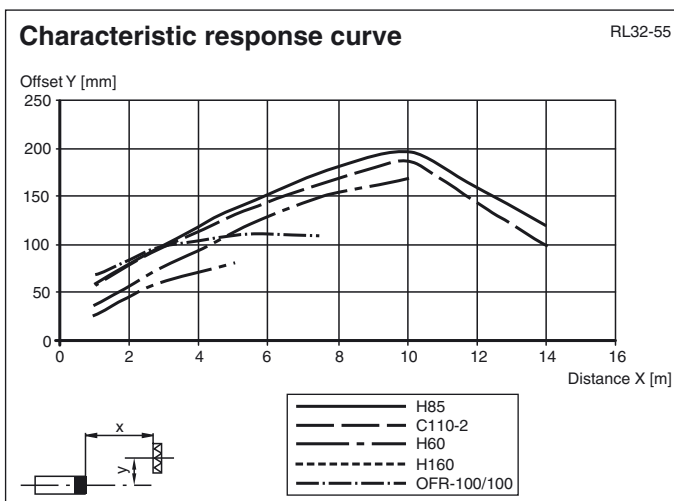
Protection of overvoltage

Precautions must be taken to prevent the rated voltage being exceeded by more than 40 % due to transient disturbances.

Other conditions

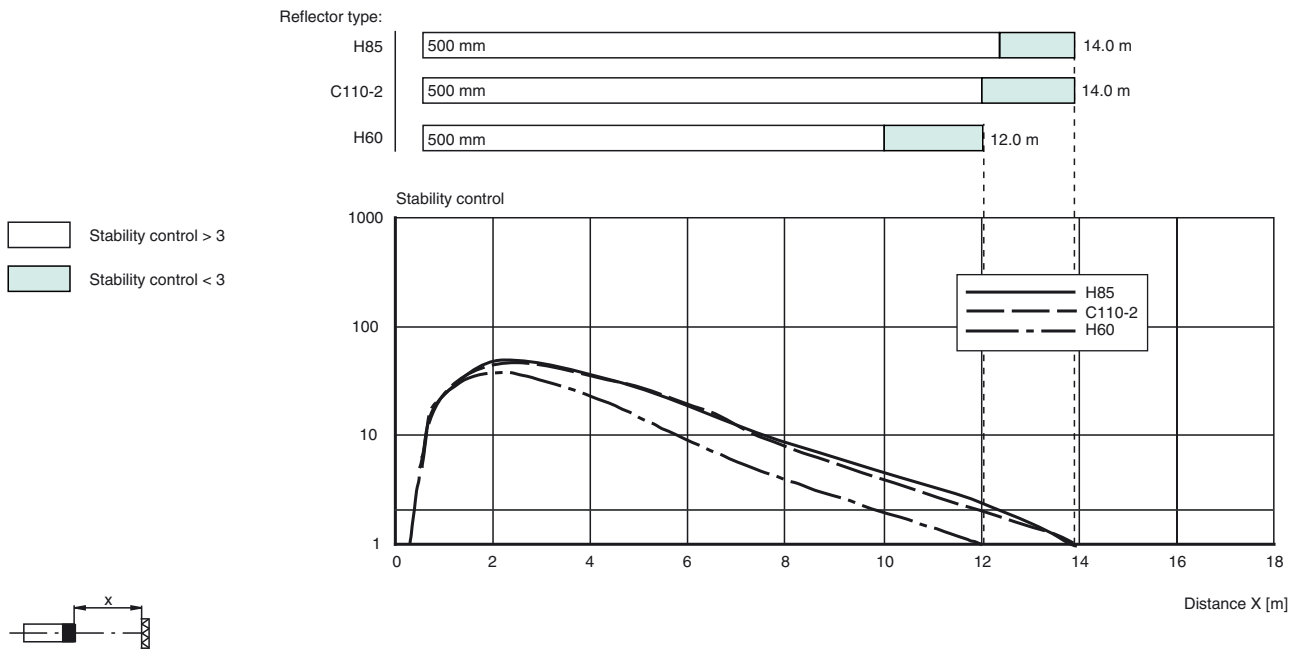
Set up the apparatus so that optical components cannot come into contact with direct sunlight.

Curves / Diagrams



Release date: 2012-07-06 13:25 Date of issue: 2012-08-07 121161_eng.xml

Relative received light strength



Release date: 2012-07-06 13:25 Date of issue: 2012-08-07 12:16_eng.xml