



CE

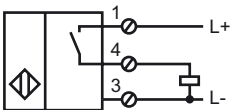
Model Number

NCN40+U1M+E2

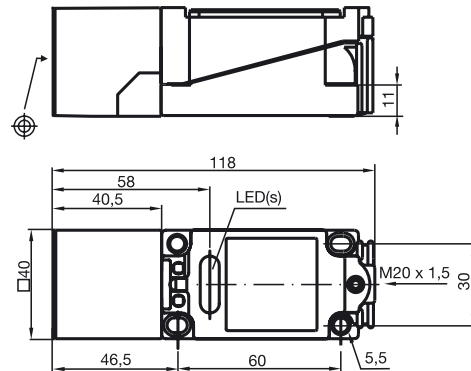
Features

- Comfort series
- 40 mm not embeddable
- Metric cable gland M20 x 1.5

Connection



Dimensions



Technical Data

General specifications

Switching element function		PNP	NO
Rated operating distance	s_n	40 mm	
Installation		not embeddable	
Output polarity		DC	
Assured operating distance	s_a	0 ... 32.4 mm	
Reduction factor r_{Al}		0.5	
Reduction factor r_{Cu}		0.45	
Reduction factor r_{V2A}		0.8	

Nominal ratings

Operating voltage	U_B	10 ... 60 V	
Switching frequency	f	0 ... 30 Hz	
Hysteresis	H	typ. 2.8 %	
Reverse polarity protected		reverse polarity protected	
Short-circuit protection		pulsing	
Voltage drop	U_d	≤ 3 V	
Operating current	I_L	0 ... 200 mA	
No-load supply current	I_0	≤ 20 mA	
Operating voltage display		LED, green	
Indication of the switching state		LED, yellow	

Standard conformity

Standards	IEC / EN 60947-5-2:2004
-----------	-------------------------

Ambient conditions

Ambient temperature	-25 ... 70 °C (-13 ... 158 °F)
---------------------	--------------------------------

Mechanical specifications

Connection type	
Core cross-section	up to 2.5 mm ²
Housing material	PBT
Sensing face	PBT
Protection degree	IP68