



Model Number

VAA-4EA-CB-E/E2-S

Printed circuit board module
4 inputs/4 outputs

Features

- Integrated communication monitoring function
- Inputs and outputs short-circuit and overload proof
- No external power supply required
- Connection via screw terminals

Function

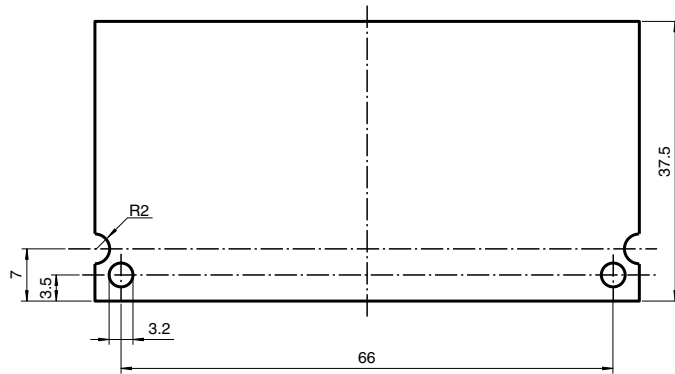
The VAA-4EA-CB-E/E2-S AS-Interface coupling module is the circuit board solution for an AS-Interface slave. The module is ideal for integration into customer-specific electronics, e. g. keypads, actuators, etc. The circuit board is supplied by the AS-Interface. The inputs and outputs are short-circuit and overload-proof.

Note:

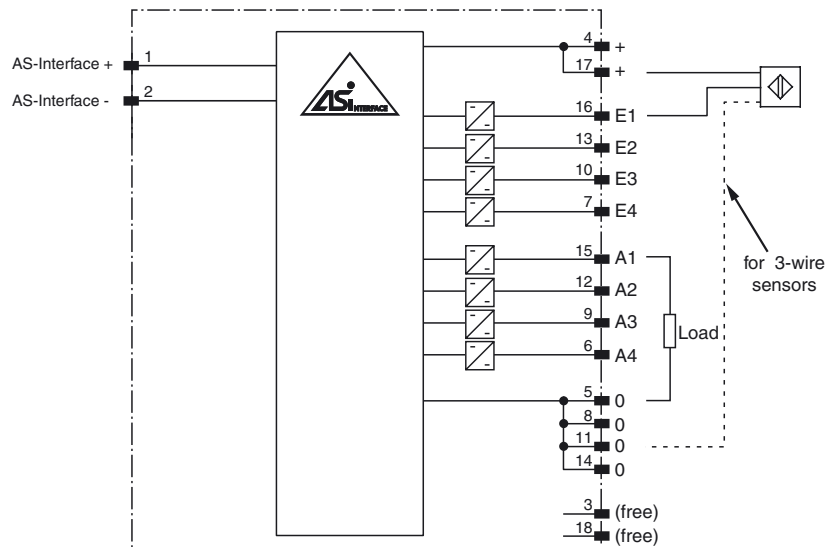
In the case of communication errors on the bus, the outputs are de-energised via an integrated watchdog.

Pepperl+Fuchs can customise connectors and circuit board sizes e. g. for 2EA, 2E1A, ... models to meet your specific applications.

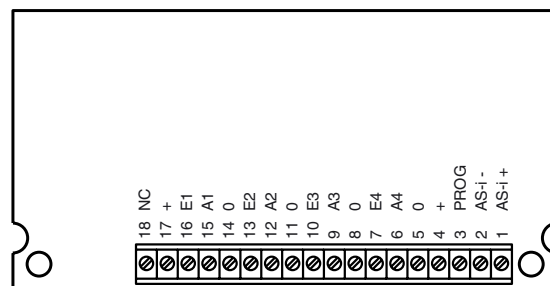
Dimensions



Electrical connection



Indicating / Operating means



Release date: 2008-06-13 13:45 Date of issue: 2008-06-13 120161_ENG.xml

Technical data**General specifications**

Slave type	Standard slave
------------	----------------

Electrical specifications

Protection class	III
Rated operational voltage	U_e 26.5 ... 31.6 V from AS-Interface
Rated operational current	I_e ≤ 20 mA (without sensors) / max. 200 mA

Input

Number/Type	4 inputs for 2- or 3-wire sensors (PNP), DC
Supply	from AS-Interface
Voltage	21 ... 31 V
Input current	≤ 8 mA (limited internally)
Switching point	
0 (unattenuated)	≤ 1.5 mA
1 (attenuated)	≥ 5 mA

Output

Number/Type	4 electronic outputs, PNP
Supply	from AS-Interface
Current	≤ 100 mA per output, ≤ 180 mA total
Voltage	21 ... 31 V

Programming instructions

Profile	S-7.0
IO code	7
ID code	0

Data bits (function via AS-Interface)	input	output
D0	IN1	OUT1
D1	IN2	OUT2
D2	IN3	OUT3
D3	IN4	OUT4

Parameter bits (programmable via AS-i) function

P0	not used
P1	not used
P2	not used
P3	not used

Ambient conditions

Ambient temperature	-25 ... 70 °C (248 ... 343 K)
Storage temperature	-40 ... 70 °C (233 ... 343 K)

Mechanical specifications

Protection degree	IP20 (completely fitted) according to EN 60529
Connection	screw terminal strip