



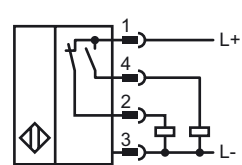
Model Number

NJ40+U1+A2-V1

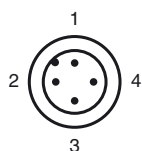
Features

- Comfort series
- 40 mm not embeddable

Connection



Pinout



Wire colors in accordance with EN 60947-5-2

1	BN
2	WH
3	BU
4	BK

Accessories

V1-W
Field attachable female cordset

V1-G-2M-PUR
Cable socket, M12, 4-pin, PUR cable

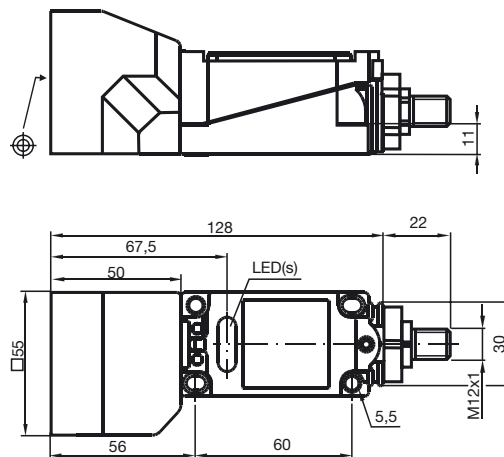
MHW 01
Modular mounting bracket

MH 04-2681F
Mounting aid for VariKont, +U1+ and +U9*

V1-G
Field attachable female cordset

V1-W-2M-PUR
Cable socket, M12, 4-pin, PUR cable

Dimensions



Technical Data

General specifications		
Switching element function	PNP	NO/NC
Rated operating distance	s_n	40 mm
Installation		not embeddable
Output polarity		DC
Assured operating distance	s_a	0 ... 32.4 mm
Reduction factor r_{Al}		0.5
Reduction factor r_{Cu}		0.45
Reduction factor r_{V2A}		0.8
Nominal ratings		
Operating voltage	U_B	10 ... 60 V
Switching frequency	f	0 ... 100 Hz
Hysteresis	H	1 ... 10 typ. 5 %
Reverse polarity protected		reverse polarity protected
Short-circuit protection		pulsing
Voltage drop	U_d	≤ 2.8 V
Operating current	I_L	0 ... 200 mA
No-load supply current	I_0	≤ 10 mA
Operating voltage display		LED, green
Indication of the switching state		LED, yellow
Ambient conditions		
Ambient temperature		-25 ... 70 °C (-13 ... 158 °F)
Mechanical specifications		
Connection type		connector M12 x 1, 4-pin
Housing material		PBT
Sensing face		PBT
Protection degree		IP68
Compliance with standards and directives		
Standard conformity		
Standards		EN 60947-5-2:2007 IEC 60947-5-2:2007
Approvals and certificates		
UL approval		cULus Listed, General Purpose
CSA approval		cCSAus Listed, General Purpose
CCC approval		Certified by China Compulsory Certification (CCC)

Release date: 2010-11-20 16:45 Date of issue: 2010-11-20 120037_ENG.xml