



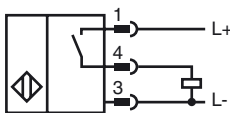
**Model Number**

RJ21-E2-0,1M-V1

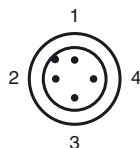
**Features**

- 21 mm inside diameter
- Comfort series

**Connection**



**Pinout**



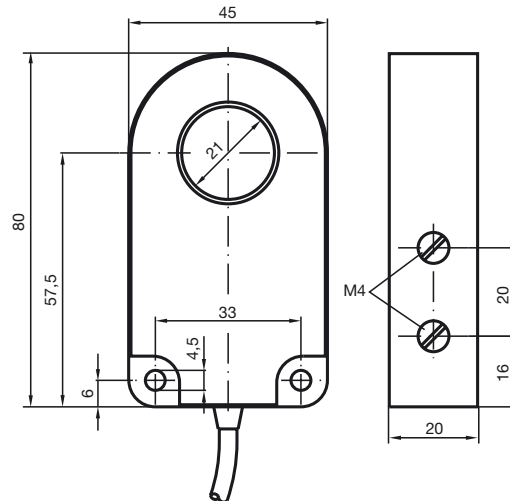
Wire colors in accordance with EN 60947-5-2

- |   |    |
|---|----|
| 1 | BN |
| 2 | WH |
| 3 | BU |
| 4 | BK |

**Accessories**

- V1-G**  
Field attachable female cordset
- V1-W**  
Field attachable female cordset
- V1-W-2M-PUR**  
Cable socket, M12, 4-pin, PUR cable
- V1-G-2M-PUR**  
Cable socket, M12, 4-pin, PUR cable

**Dimensions**



**Technical Data**

**General specifications**

Switching element function	PNP	NO
Installation		
Output polarity	DC	
Inside diameter	21 mm	
Measuring cylinder		
Diameter	6 mm	
Length	12 mm	

**Nominal ratings**

Nominal voltage	$U_o$	8 V
Operating voltage	$U_B$	10 ... 30 V
Switching frequency	f	0 ... 1000 Hz
Reverse polarity protected		reverse polarity protected
Short-circuit protection		pulsing
Voltage drop	$U_d$	$\leq 3$ V
Operating current	$I_L$	0 ... 200 mA
No-load supply current	$I_o$	$\leq 20$ mA

**Ambient conditions**

Ambient temperature	-25 ... 70 °C (-13 ... 158 °F)
---------------------	--------------------------------

**Mechanical specifications**

Connection type	Cable connector M12 x 1, 4-pin, PVC Cable, 100 mm
Core cross-section	0.34 mm <sup>2</sup>
Housing material	PBT
Protection degree	IP67

**Compliance with standards and directives**

Standard conformity	
Standards	EN 60947-5-2:2007 IEC 60947-5-2:2007

**Approvals and certificates**

UL approval	cULus Listed, General Purpose
CSA approval	cCSAus Listed, General Purpose

Release date: 2010-11-04 15:42 Date of issue: 2010-11-05 119771\_ENG.xml