



CE

Model Number

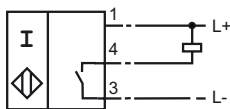
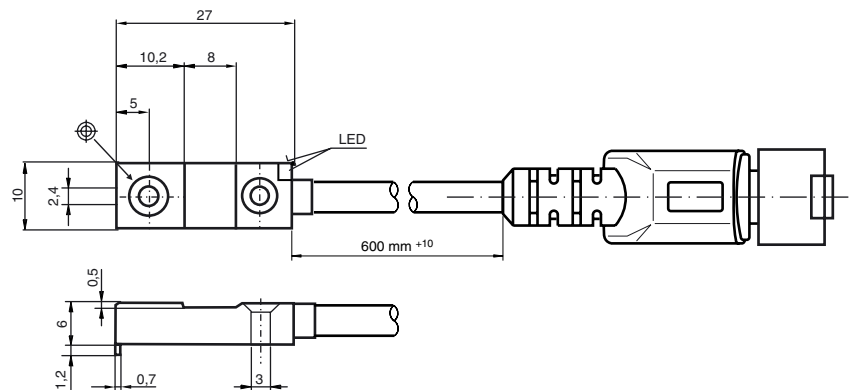
NBN4-F29-E0-V1-Y119648

Features

- Basic series
- 4 mm not embeddable
- Jungheinrich Part-No. 50123671

Connection

E / E0

**Dimensions****Technical Data****General specifications**

Switching element function	NPN Make function	
Rated operating distance	s_n	4 mm
Installation	not embeddable	
Output polarity	DC	
Assured operating distance	s_a	0 ... 3.24 mm
Reduction factor r_{Al}	0.4	
Reduction factor r_{Cu}	0.3	
Reduction factor r_{V2A}	0.7	

Nominal ratings

Operating voltage	U_B	10 ... 30 V
Switching frequency	f	0 ... 1000 Hz
Reverse polarity protection	protected against reverse polarity	
Short-circuit protection	no	
Voltage drop	U_d	≤ 3 V
Operating current	I_L	0 ... 100 mA
Off-state current	I_r	0 ... 0.5 mA typ. 0.1 μ A at 25 °C
No-load supply current	I_0	≤ 10 mA
Indication of the switching state	LED, yellow	

Standard conformity

Standards	IEC / EN 60947-5-2:2004
-----------	-------------------------

Ambient conditions

Ambient temperature	-40 ... 70 °C (233 ... 343 K)
---------------------	-------------------------------

Mechanical specifications

Connection type	0.6 m, PUR cable with V1 connector
Core cross-section	0.14 mm ²
Housing material	PPS
Sensing face	PPS
Protection degree	IP67