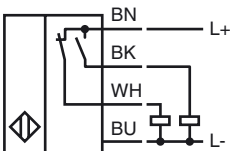
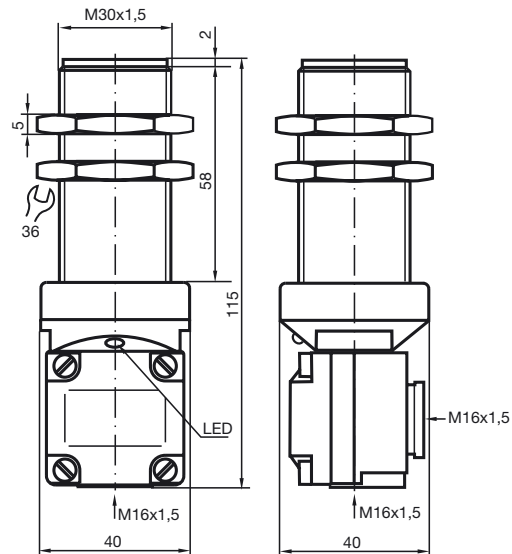


**Model Number**

NJ15-30GKM-A2

Features

- Comfort series
- 15 mm non-flush

Connection**Dimensions****Technical Data****General specifications**

Switching element function	PNP	NO/NC
Rated operating distance	s_n	15 mm
Installation	non-flush	
Output polarity	DC	
Assured operating distance	s_a	0 ... 12.15 mm
Reduction factor r_{Al}	0.4	
Reduction factor r_{Cu}	0.3	
Reduction factor r_{304}	0.85	

Nominal ratings

Operating voltage	U_B	10 ... 30 V
Switching frequency	f	0 ... 300 Hz
Hysteresis	H	1 ... 3 typ. 3 %
Reverse polarity protected	reverse polarity protected	
Short-circuit protection	pulsing	
Voltage drop	U_d	≤ 3 V
Operating current	I_L	0 ... 200 mA
Off-state current	I_r	0 ... 0.5 mA typ. 0.01 mA
No-load supply current	I_0	≤ 20 mA
Indication of the switching state	LED, yellow	

Standard conformity

Standards	IEC / EN 60947-5-2:2004
-----------	-------------------------

Ambient conditions

Ambient temperature	-25 ... 70 °C (-13 ... 158 °F)
Storage temperature	-25 ... 85 °C (-13 ... 185 °F)

Mechanical specifications

Core cross-section	up to 2.5 mm ²
Housing material	PBT
Sensing face	PBT
Protection degree	IP67