



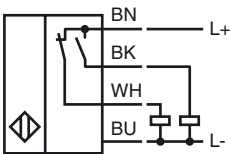
Model Number

NJ10-30GKM-A2

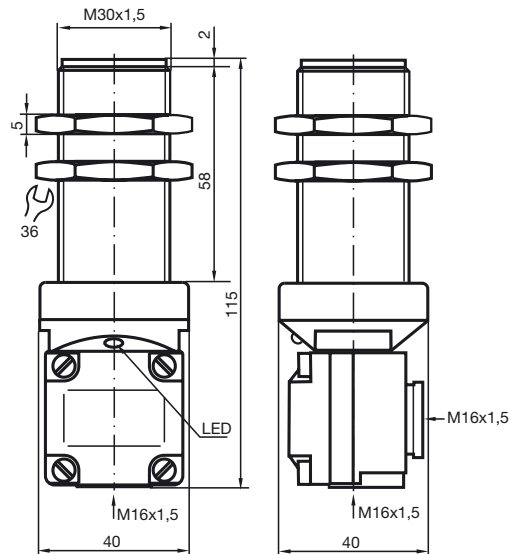
Features

- Comfort series
- 10 mm flush

Connection



Dimensions



Technical Data

General specifications

Switching element function		PNP	NO/NC
Rated operating distance	s_n	10 mm	
Installation	flush		
Output polarity	DC		
Assured operating distance	s_a	0 ... 8.1 mm	
Reduction factor r_{Al}	0.4		
Reduction factor r_{Cu}	0.3		
Reduction factor r_{304}	0.85		

Nominal ratings

Operating voltage	U_B	10 ... 30 V	
Switching frequency	f	0 ... 300 Hz	
Hysteresis	H	1 ... 3 typ. 3 %	
Reverse polarity protected	reverse polarity protected		
Short-circuit protection	pulsing		
Voltage drop	U_d	≤ 3 V	
Operating current	I_L	0 ... 200 mA	
Off-state current	I_r	0 ... 0.5 mA typ. 0.01 mA	
No-load supply current	I_0	≤ 20 mA	
Indication of the switching state	LED, yellow		

Standard conformity

Standards	IEC / EN 60947-5-2:2004
-----------	-------------------------

Ambient conditions

Ambient temperature	-25 ... 70 °C (-13 ... 158 °F)
Storage temperature	-25 ... 85 °C (-13 ... 185 °F)

Mechanical specifications

Core cross-section	up to 2.5 mm ²
Housing material	PBT
Sensing face	PBT
Protection degree	IP67