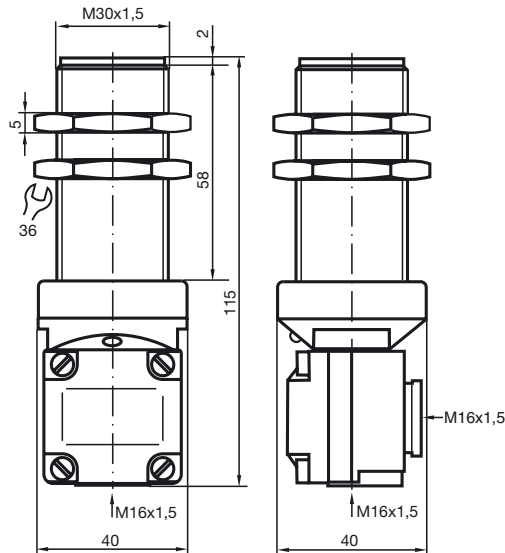


Comfort series
10 mm embeddable

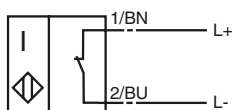


CE 0102

General specifications	
Switching element function	NAMUR NC
Rated operating distance s_n	10 mm
Installation	embeddable
Assured operating distance s_a	0 ... 8.1 mm
Reduction factor r_{Al}	0.4
Reduction factor r_{Cu}	0.3
Reduction factor r_{V2A}	0.85
Nominal ratings	
Nominal voltage U_o	8 V
Switching frequency f	0 ... 300 Hz
Current consumption	
Measuring plate not detected	≥ 3 mA
Measuring plate detected	≤ 1 mA
Standard conformity	
EMC in accordance with	IEC / EN 60947-5-2:2004
Standards	DIN EN 60947-5-6 (NAMUR)
Ambient conditions	
Ambient temperature	-25 ... 100 °C (248 ... 373 K)
Mechanical specifications	
Connection type	terminal compartment
Core cross-section	up to 2.5 mm ²
Housing material	PBT
Sensing face	PBT
Protection degree	IP67
General information	
Use in the hazardous area	see instruction manuals
Category	2G

Connection type:

N / NO



ATEX 2G

Instruction

Device category 2G

Directive conformity

Standard conformity

CE symbol

Ex-identification

EC-Type Examination Certificate

Appropriate type

Effective internal capacitance C_i

Effective internal inductance L_i

General

Highest permissible ambient temperature

Installation, Commissioning

Maintenance

[Fett]Special conditions

Protection from mechanical danger

Manual electrical apparatus for hazardous areas

for use in hazardous areas with gas, vapour and mist

94/9/EG

EN 50014:1997, EN 50020:1994

Ignition protection "Intrinsic safety"

Use is restricted to the following stated conditions

CE 0102

II 2G EEx ia IIC T6

PTB 00 ATEX 2048 X

NJ 10-30GK...-N...

≤ 140 nF ; a cable length of 10 m is considered.

≤ 100 μ H ; a cable length of 10 m is considered.

The apparatus has to be operated according to the appropriate data in the data sheet and in this instruction manual. The EU prototype test certificate must be observed. The special conditions must be adhered to!

Directive 94/9EG and hence also EU prototype test certificates apply in general only to the use of electrical apparatus under atmospheric conditions

The use in ambient temperatures of > 60 °C was tested with regard to hot surfaces by the mentioned certification authority.

If the equipment is not used under atmospheric conditions, a reduction of the permissible minimum ignition energies may have to be taken into consideration.

The temperature ranges, according to temperature class, are given in the EU prototype test certificate.

Laws and/or regulations and standards governing the use or intended usage goal must be observed. The intrinsic safety is only assured in connection with an appropriate related apparatus and according to the proof of intrinsic safety.

No changes can be made to apparatus, which are operated in hazardous areas. Repairs to these apparatus are not possible.

When used in the temperature range below -20 °C the sensor should be protected from knocks by the provision of an additional housing.