



**Model number**

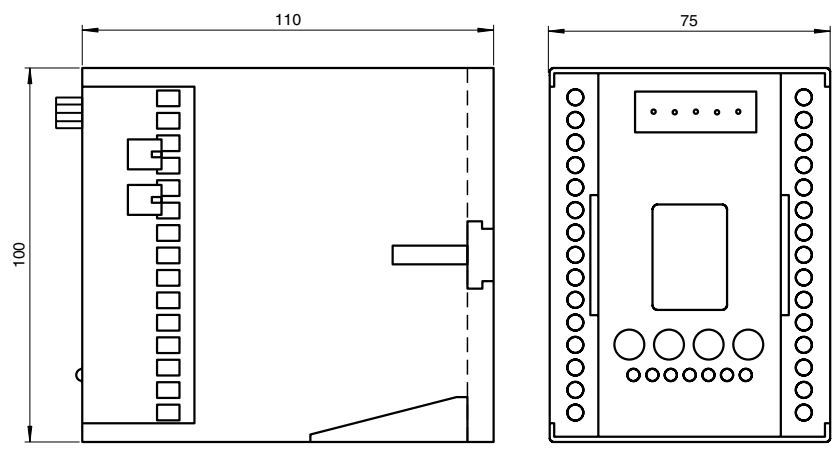
**VBG-DN-K5-DMD**

DeviceNet Gateway, double master for 2 AS-Interface networks

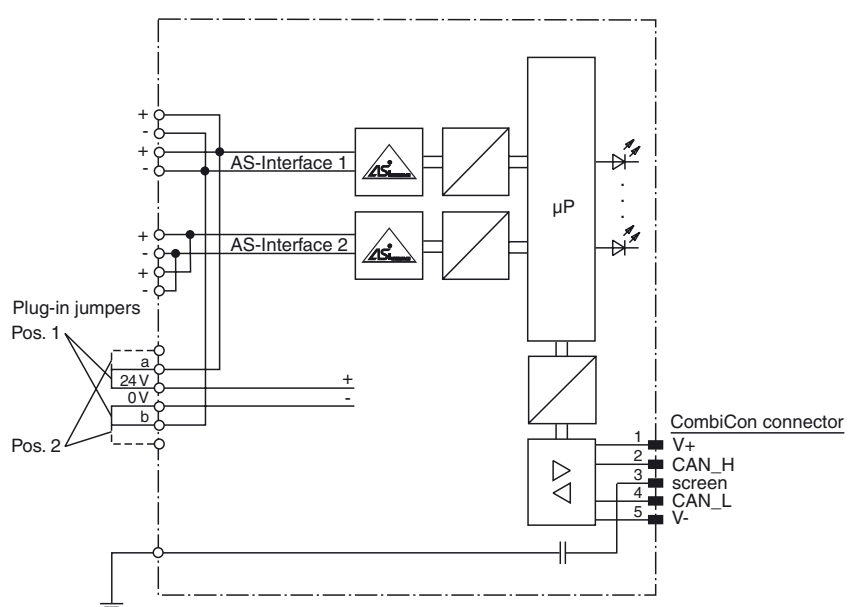
**Features**

- Gateway according to AS-Interface specification 2.1 for up to 62 units
- 2 AS-Interface networks
- Power supply from DeviceNet and AS-Interface
- Programmable slave addresses
- Display of detected slaves
- Fault diagnosis via graphic display

**Dimensions**

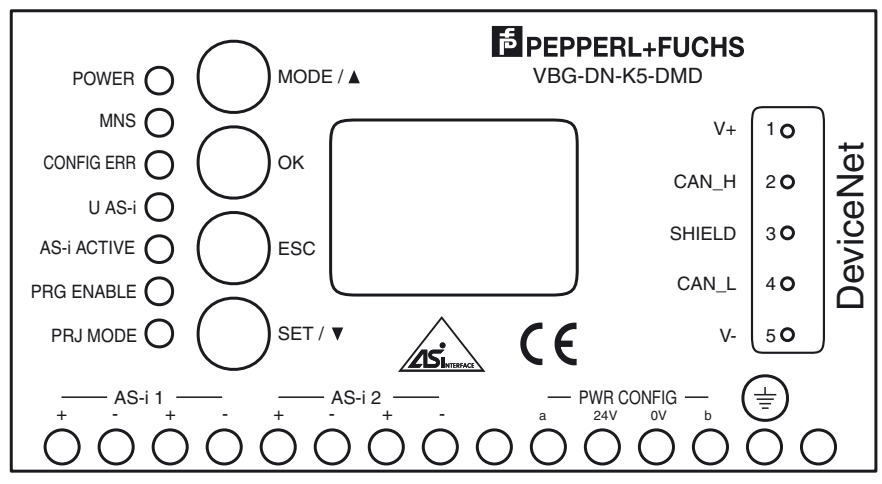


**Electrical connection**



Using plug-in jumpers, it is possible to choose whether the master shall be supplied by AS-Interface-1 circuit (pos.1) or via an own power pade (PELV) (pos.2).

**Indicating / Operating means**



Release date: 2010-06-14 15:38 Date of issue: 2010-06-14 11:9169\_ENG.xml

**Technical data****General specifications**

AS-Interface specification	V2.11
PLC-Functionality	none
Diagnostics function	Extended function via display
UL File Number	E223772

**Indicators/operating means**

Display	Graphical LC display for addressing and error messages
LED AS-i ACTIVE	AS-Interface operation normal; LED green
LED CONFIG ERR	configuration error; LED red
LED PRG ENABLE	autom. programming; LED green
LED POWER	voltage ON; LED green
LED PRJ MODE	projecting mode active; LED yellow
LED U AS-i	AS-Interface voltage; LED green
LED MNS	Module/net status; LED green/red
Switch SET	Selection and setting of a slave address
OK button	Mode selection traditional-graphical/confirmation
Button PRG MODE	Mode selection PRJ-operation/save configuration/cursor
ESC button	Mode selection traditional-graphical/cancel

**Electrical specifications**

Insulation voltage	$U_i$	$\geq 500$ V
Rated operational voltage	$U_e$	from AS-Interface
Rated operational current	$I_e$	DeviceNet $\leq 100$ mA; AS-Interface $\leq 200$ mA

**Interface**

Protocol	DeviceNet
----------	-----------

**Connection**

AS-Interface	screw terminals
DeviceNet	5-pin CombiCon connector according to DeviceNet specification

**Ambient conditions**

Ambient temperature	0 ... 55 °C (32 ... 131 °F)
Storage temperature	-15 ... 70 °C (5 ... 158 °F)

**Mechanical specifications**

Protection degree	IP40 (housing), IP20 (terminals)
Mass	420 g
Construction type	Low profile housing , plastic

**Compliance with standards and directives**

Standard conformity	
Protection degree	DIN 40050

**Function**

The VBG-DN-K5-DMD is a DeviceNet gateway with 2 AS-Interface master according to the AS-Interface specification 2.11. The design is very suitable for use in the switch cabinet.

The gateway is a 100 % DeviceNet slave (group 2 slave) and can be configured using DeviceNet Manager. Owing to the cooperation with Allen-Bradley, the gateway was completely integrated with the DeviceNet software, and can be easily connected to an existing DeviceNet network.

The gateway enables communication between the AS-Interface and the DeviceNet, without additional programming. The AS-Interface master is connected to DeviceNet with a 5-pin CombiCon connector in accordance with the DeviceNet specifications. Self-opening device terminals for leads are available for all other connections.

The push buttons are used for address assignment of the AS-Interface slaves and acceptance of the desired configuration. There are 7 LEDs on the front panel, showing the current status of the AS-Interface line.

In the case of the AS-Interface Gateway with graphical display, the AS-Interface circuit can be placed in service and the test of the connected periphery can be kept entirely separate from the commissioning of the DeviceNet. On-site operation with the aid of the graphical display and 4 push buttons makes it possible to show all functions on the display that are covered by the AS-i Control Tools software for other AS-Interface masters.

**Accessories****VAZ-DN-SIM**

DeviceNet master simulator