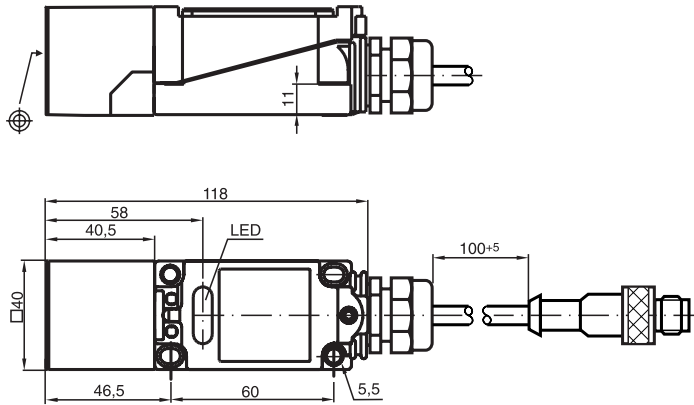


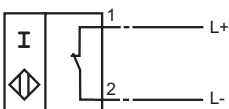
Comfort series
15 mm embeddable



Switching element function	NAMUR NC
Rated operating distance s_n	18 mm
Installation	embeddable
Assured operating distance s_a	0 ... 15 mm
Reduction factor r_{AI}	0,4
Reduction factor r_{Cu}	0,3
Reduction factor r_{V2A}	0,85
Nominal voltage U_o	8 V
Switching frequency f	0 ... 150 Hz
Current consumption	
Measuring plate not detected	≥ 3 mA
Measuring plate detected	≤ 1 mA
EMC in accordance with	EN 60947-5-2
Standards	DIN EN 60947-5-6 (NAMUR)
Ambient temperature	-25 ... 70 °C (248 ... 343 K)
Connection type	M12 cable connector V1S-G
Core cross-section	4 x 0.34 mm ² , PUR
Housing material	PBT
Sensing face	PBT
Protection degree	IP68

Connection_type:

N / NO



Data for Ex areas

Effective internal inductivity C_i	$\leq 290 \text{ nF}$
Effective internal inductance L_i	$\leq 110 \text{ }\mu\text{H}$