



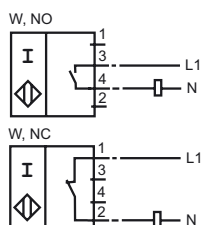
### Model Number

NJ15+U1+W-Y118318

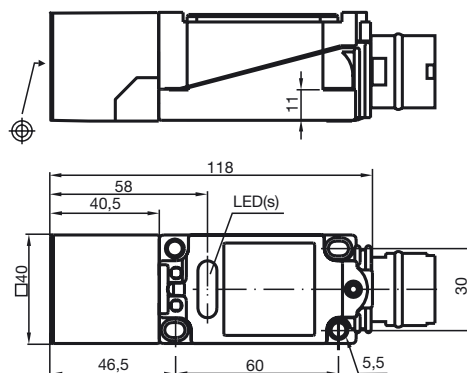
### Features

- Comfort series
- 15 mm embeddable

### Connection



## Dimensions



## Technical Data

### General specifications

Switching element function		ACMake/Break function
Rated operating distance	$s_n$	15 mm
Installation		embeddable
Output polarity		AC
Assured operating distance	$s_a$	0 ... 12.15 mm
Reduction factor $r_{Al}$		0.3
Reduction factor $r_{Cu}$		0.25
Reduction factor $r_{V2A}$		0.75

### Nominal ratings

Operating voltage	$U_B$	20 ... 253 V
Switching frequency	$f$	0 ... 20 Hz
Hysteresis	$H$	1 ... 10 typ. 5 %
Momentary current (20 ms, 0.1 Hz)		0 ... 3000 mA
Operating current	$I_L$	8 ... 500 mA
Off-state current	$I_r$	0.5 ... 1.95 mA typ. 1.2 mA
Operating voltage display		LED, green
Indication of the switching state		LED, yellow

### Ambient conditions

Ambient temperature	-25 ... 70 °C (248 ... 343 K)
Storage temperature	-25 ... 85 °C (248 ... 358 K)

### Mechanical specifications

Connection type	connector series 717, Fa. Binder
Housing material	PBT
Sensing face	PBT
Protection degree	IP68

### Compliance with standards and directives

Standard conformity	
Standards	EN 60947-5-2:2007 IEC 60947-5-2:2007