



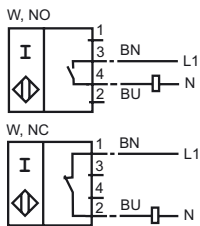
Model Number

NJ15+U10+W

Features

- Comfort series
- 15 mm embeddable
- With cable gland for cable diameters from 7 to 10.5 mm (extendable with different gasket)

Connection



Accessories

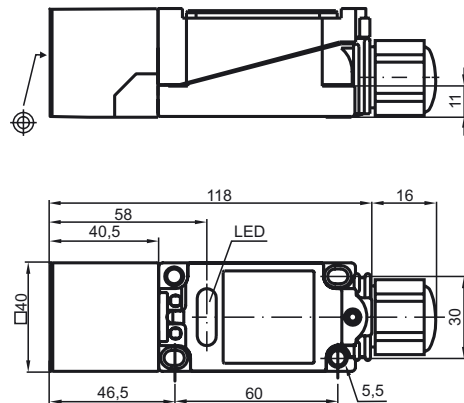
V1-M20-80
Receptacles

V1-G
Non pre-wired cable socket

V1-W
Non pre-wired cable socket

MHW 01
Mounting aid

Dimensions



Technical Data

General specifications

| | | |
|----------------------------|-------|-----------------------|
| Switching element function | | ACMake/Break function |
| Rated operating distance | s_n | 15 mm |
| Installation | | embeddable |
| Output polarity | | AC |
| Assured operating distance | s_a | 0 ... 12.15 mm |
| Reduction factor r_{AI} | | 0.3 |
| Reduction factor r_{Cu} | | 0.25 |
| Reduction factor r_{V2A} | | 0.75 |

Nominal ratings

| | | |
|-----------------------------------|-------|-----------------------------|
| Operating voltage | U_B | 20 ... 253 V ¹⁾ |
| Switching frequency | f | 0 ... 20 Hz |
| Hysteresis | H | 1 ... 10 typ. 5 % |
| Voltage drop | U_d | ≤ 5 V |
| Momentary current (20 ms, 0.1 Hz) | | 0 ... 3000 mA |
| Operating current | I_L | 8 ... 500 mA |
| Off-state current | I_r | 0.5 ... 1.95 mA typ. 1.2 mA |
| Operating voltage display | | LED, green |
| Indication of the switching state | | LED, yellow |

Ambient conditions

| | |
|---------------------|-------------------------------|
| Ambient temperature | -25 ... 70 °C (248 ... 343 K) |
| Storage temperature | -25 ... 85 °C (248 ... 358 K) |

Mechanical specifications

| | |
|--------------------|---|
| Connection type | terminal compartment |
| Core cross-section | up to 2.5 mm ² |
| Housing material | PBT |
| Sensing face | PBT |
| Protection degree | IP68 |
| Note | ¹⁾ In the temperature range below 0 °C, permissible operating voltage U_b 80...253 V |

Compliance with standards and directives

| | |
|---------------------|---|
| Standard conformity | |
| Standards | EN 60947-5-2:2007 IEC 60947-5-2:2007 |

Approvals and certificates

| | |
|--------------|---|
| CCC approval | Certified by China Compulsory Certification (CCC) |
|--------------|---|