



CE  
0102

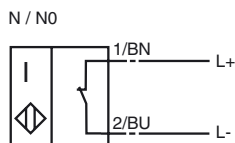
### Model Number

NCN40+U1M+N0

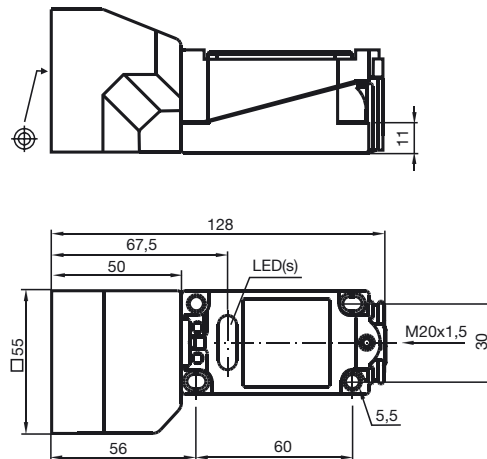
### Features

- Comfort series
- 40 mm not embeddable
- Metric cable gland M20 x 1.5

### Connection



### Dimensions



### Technical Data

#### General specifications

Switching element function	NAMUR NC
Rated operating distance	$s_n$ 40 mm
Installation	not embeddable
Output polarity	NAMUR
Assured operating distance	$s_a$ 0 ... 32.4 mm
Reduction factor $r_{AI}$	0.45
Reduction factor $r_{Cu}$	0.45
Reduction factor $r_{V2A}$	0.8

#### Nominal ratings

Nominal voltage	$U_o$ 8 V
Switching frequency	$f$ 0 ... 100 Hz
Hysteresis	$H$ 1 ... 15 typ. 5 %
Reverse polarity protection	protected against reverse polarity
Short-circuit protection	yes
Current consumption	
Measuring plate not detected	$\geq 3$ mA
Measuring plate detected	$\leq 1$ mA
Indication of the switching state	LED, yellow

#### Standard conformity

EMC in accordance with	IEC / EN 60947-5-2:2004; NE 21
Standards	DIN EN 60947-5-6 (NAMUR)

#### Ambient conditions

Ambient temperature	-25 ... 100 °C (248 ... 373 K)
Storage temperature	-40 ... 100 °C (233 ... 373 K)

#### Mechanical specifications

Connection type	terminal compartment
Core cross-section	up to 2.5 mm <sup>2</sup>
Housing material	PBT
Sensing face	PBT
Protection degree	IP68

#### General information

Use in the hazardous area	see instruction manuals
Category	2G

**ATEX 2G**

Instruction

**Device category 2G**

Directive conformity

Standard conformity

CE symbol

Ex-identification

EC-Type Examination Certificate

Appropriate type

Effective internal capacitance  $C_i$ Effective internal inductance  $L_i$ 

General

Highest permissible ambient temperature

Installation, Commissioning

Maintenance

[Fett]Special conditions

Electrostatic charging

**Manual electrical apparatus for hazardous areas**


for use in hazardous areas with gas, vapour and mist

94/9/EG

EN 50014:1997, EN 50020:1994

Ignition protection "Intrinsic safety"

Use is restricted to the following stated conditions

C  0102 II 2G EEx ia IIC T6

PTB 00 ATEX 2032 X

NCN40+U...+N0...

≤ 120 nF ; a cable length of 10 m is considered.

≤ 130 μH ; a cable length of 10 m is considered.

The apparatus has to be operated according to the appropriate data in the data sheet and in this instruction manual. The EC-Type Examination Certificate has to be observed. The special conditions must be adhered to!

The temperature ranges, according to temperature class, are given in the EC-Type Examination Certificate.

Laws and/or regulations and standards governing the use or intended usage goal must be observed. The intrinsic safety is only assured in connection with an appropriate related apparatus and according to the proof of intrinsic safety.

No changes can be made to apparatus, which are operated in hazardous areas. Repairs to these apparatus are not possible.

When used in group IIC non-permissible electrostatic charges should be avoided on the plastic housing parts.