



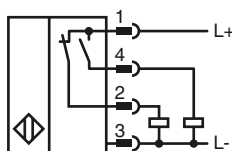
**Model Number**

NJ20+U1+A2-V1

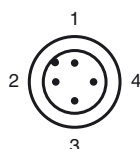
**Features**

- Comfort series
- 20 mm embeddable

**Connection**



**Pinout**



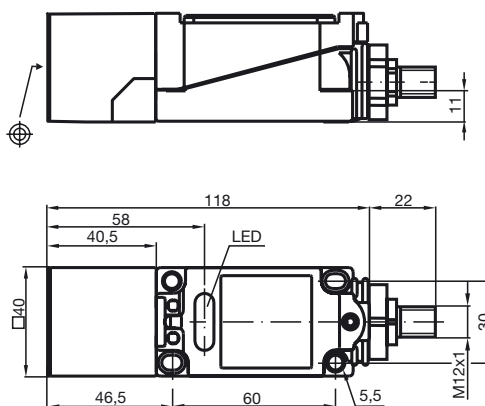
Wire colors in accordance with EN 60947-5-2

1	BN	(brown)
2	WH	(white)
3	BU	(blue)
4	BK	(black)

**Accessories**

- V1-G**  
4-pin, M12 female field-attachable connector
- V1-W**  
4-pin, M12 female field-attachable connector
- V1-W-2M-PUR**  
Cable socket, M12, 4-pin, PUR cable
- V1-G-2M-PUR**  
Cable socket, M12, 4-pin, PUR cable
- MH 04-2681F**  
Mounting aid for VariKont, +U1+ and +U9\*
- MHW 01**  
Modular mounting bracket

**Dimensions**



**Technical Data**

**General specifications**

Switching element function	PNP	NO/NC
Rated operating distance	$s_n$	20 mm
Installation		embeddable
Output polarity		DC
Assured operating distance	$s_a$	0 ... 16.2 mm
Reduction factor $r_{Al}$		0.35
Reduction factor $r_{Cu}$		0.35
Reduction factor $r_{303}$		0.8

**Nominal ratings**

Operating voltage	$U_B$	10 ... 60 V
Switching frequency	$f$	0 ... 150 Hz
Hysteresis	$H$	1 ... 10 typ. 5 %
Reverse polarity protected		reverse polarity protected
Short-circuit protection		pulsing
Voltage drop	$U_d$	$\leq 2.8$ V
Operating current	$I_L$	0 ... 200 mA
No-load supply current	$I_0$	$\leq 10$ mA
Operating voltage display		LED, green
Indication of the switching state		LED, yellow

**Ambient conditions**

Ambient temperature	-25 ... 70 °C (-13 ... 158 °F)
---------------------	--------------------------------

**Mechanical specifications**

Connection type	connector M12 x 1, 4-pin
Housing material	PBT
Sensing face	PBT
Protection degree	IP67

**Compliance with standards and directives**

Standard conformity	
Standards	EN 60947-5-2:2007 IEC 60947-5-2:2007

**Approvals and certificates**

UL approval	cULus Listed, General Purpose
CSA approval	cCSAus Listed, General Purpose

Release date: 2011-07-20 11:50 Date of issue: 2011-07-20 117972\_eng.xml