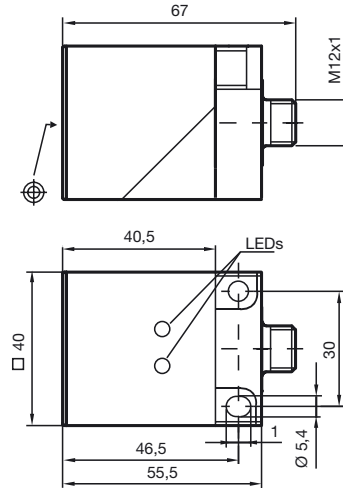
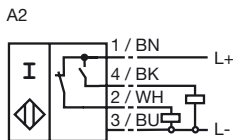


Reduction factor = 1  
 20 mm embeddable  
 Resistant to welding



Switching element function	PNP	Antivalent
Rated operating distance $s_n$	20 mm	
Installation	embeddable	
Assured operating distance $s_a$	0 ... 16,2 mm	
Reduction factor $r_{Al}$	approx. 1,1	
Reduction factor $r_{Cu}$	approx. 1,1	
Reduction factor $r_{V2A}$	approx. 1,1	
Reduction factor $r_{St37}$	1	
Operating voltage $U_B$	10 ... 36 V	
Switching frequency $f$	0 ... 200 Hz	
Hysteresis $H$	3 ... 15 %	
Reverse polarity protection	Protected against reverse polarity	
Short circuit protection	pulsing	
Voltage drop $U_d$	$\leq 2,5$ V	
Operating current $I_L$	0 ... 250 mA	
No-load supply current $I_0$	$\leq 20$ mA	
Alternating magnetic field $B$	160 mT	
Operating voltage display	LED, green	
Indication of the switching state	LED, yellow	
Standards	EN 60947-5-2	
Ambient temperature	-25 ... 70 °C (248 ... 343 K)	
Connection type	V1-connector	
Housing material	PPE	
Sensing face	PPE, teflon coated	
Protection degree	IP67	

**Connection\_type:**



117354\_ENG.xml

2003-12-03