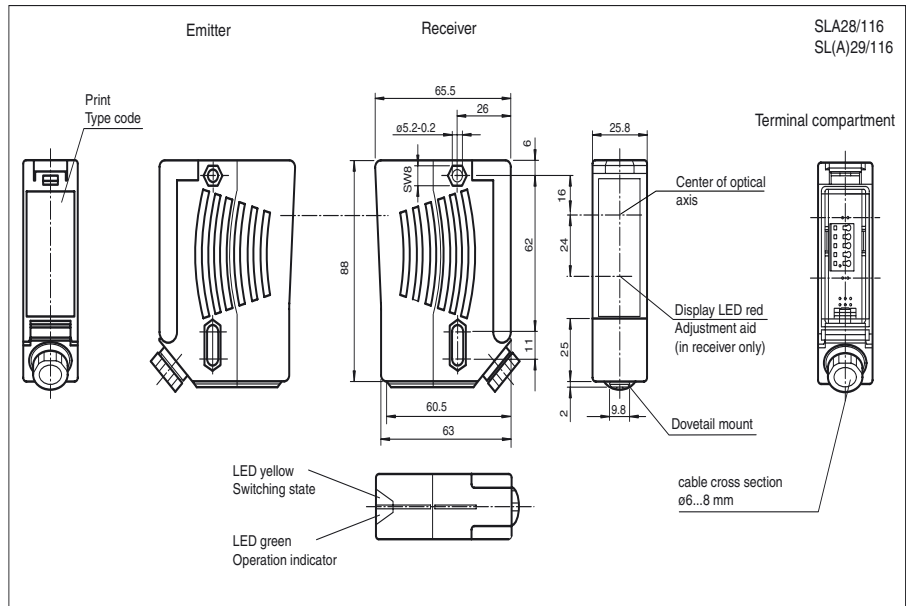




Dimensions



SLA28/116
SL(A)29/116

Model Number

SL29/35/106/116 R=65m

Safety thru-beam sensor
with terminal compartment

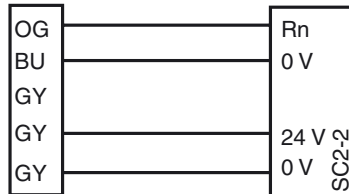
Features

- Detection range up to 65 m
- Test input (Type 2 according to IEC/EN 61496-1)
- Red transmission light
- Integrated alignment aid
- Clearly visible LED functional display and pre-fault indicator on the receiver
- Sturdy housing
- Protection degree IP67
- Extended temperature range up to -35 °C with heated front panel
- Operation on control units of series SC2-2

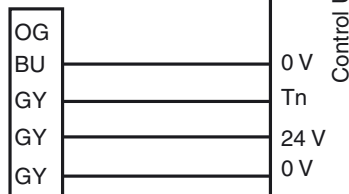
Electrical connection

Design with terminal compartment (Option /106)

Receiver:



Emitter:



Control Unit SC2-2

Release date: 2009-12-14 11:08 Date of issue: 2009-12-14 11:08 117351_ENG.xml

Technical data

General specifications

Effective detection range	6 ... 65 m
Threshold detection range	85 m
Light source	LED
Light type	red, modulated light
Approvals	TÜV
Tests	IEC/EN 61496
Safety type according to IEC/EN 61496	2
Marking	CE
Obstacle size	static: 30 mm dynamic: 40 mm (at v = 1.6 m/s of the obstacle)
Alignment aid	LED red
Angle of divergence	< 10 °

Functional safety related parameters

Safety Integrity Level (SIL)	SIL 2
Performance level (PL)	PL d
Category	Cat. 2
Mission Time (T _M)	20 a
PFH _d	1 E-7

Indicators/operating means

Operating display	LED green
Function display	LED yellow: 1. LED lits constantly: signal > 2 x switching point (function reserve) 2. LED flashes: signal between 1 x switching point and 2 x switching point 3. LED off: signal < switching point

Electrical specifications

Operating voltage	U _B	Power supply via control unit
-------------------	----------------	-------------------------------

Ambient conditions

Ambient temperature	-35 ... 55 °C (238 ... 328 K) with heated optical face, fixed voltage 24 V DC ± 20 %/50 mA	
Storage temperature	-20 ... 70 °C (253 ... 343 K)	
Relative humidity	max. 95 %, not condensing	

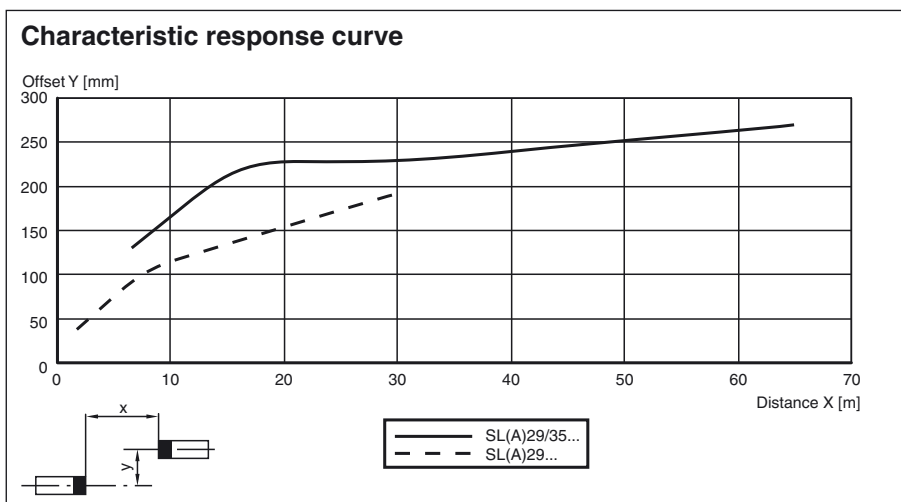
Mechanical specifications

Protection degree	IP67 according to EN 60529	
Connection	terminal compartment	
Material		
Housing	Plastic ABS, front part black, back part yellow (RAL1021)	
Optical face	Plastic pane	
Mass	per device 70 g	

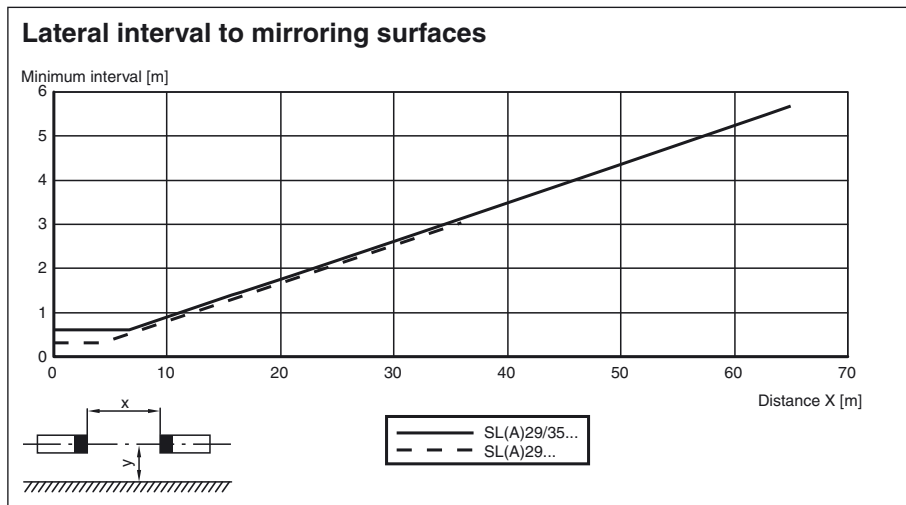
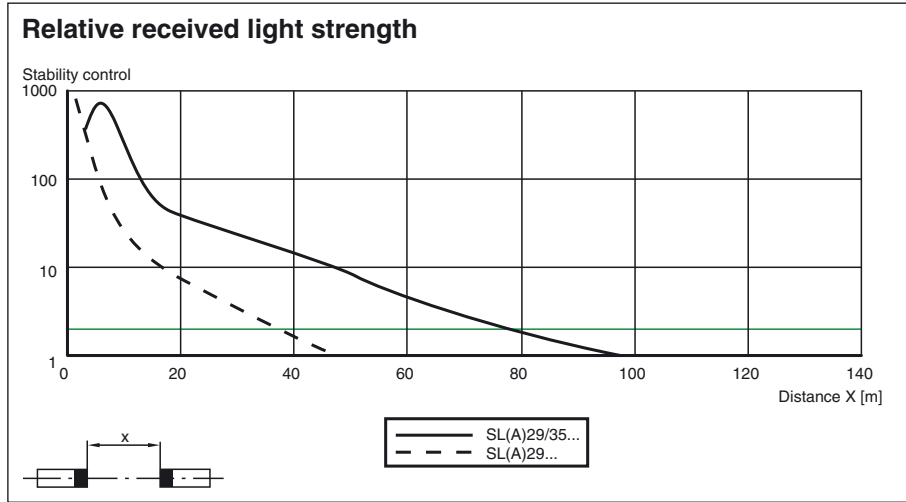
General information

System components		
Emitter	SL29-T/35/106/116 R=65m	
Receiver	SL29-R/35/106/116 R=65m	

Curves/Diagrams



Release date: 2009-12-14 11:08 Date of issue: 2009-12-14 11:08 117951_ENG.xml



Additional information

For much easier alignment even for long distance applications, an additional red LED is located in the receivers optics:

- LED constantly illuminated: signal strength < switching level
- LED flashes: signal strength is between 1-fold switching level and 2-fold switching level
- LED off: signal strength \geq 2-fold switching level (function reserve)

System accessories

Control units

SC2-2

Cable sockets

Option /73c:

- straight: V1-G-2M-PVC
V1-G-5M-PVC
V1-G-10M-PVC
- angled: V1-W-2M-PVC
V1-W-5M-PVC
V1-W-10M-PVC

Option /105:

Release date: 2009-12-14 11:08 Date of issue: 2009-12-14 11:08 117351_ENG.xml

straight: V15-G-2M-PVC
V15-G-5M-PVC
V15-G-10M-PVC
angled: V15-W-2M-PVC
V15-W-5M-PVC
V15-W-10M-PVC

Option /116: no

Mounting aids

OMH-21
OMH-22
OMH-05
OMH-MLV11-K

Further accessories

Laser alignment aid
BA SLA28

Redirection mirror
SLA-1-M