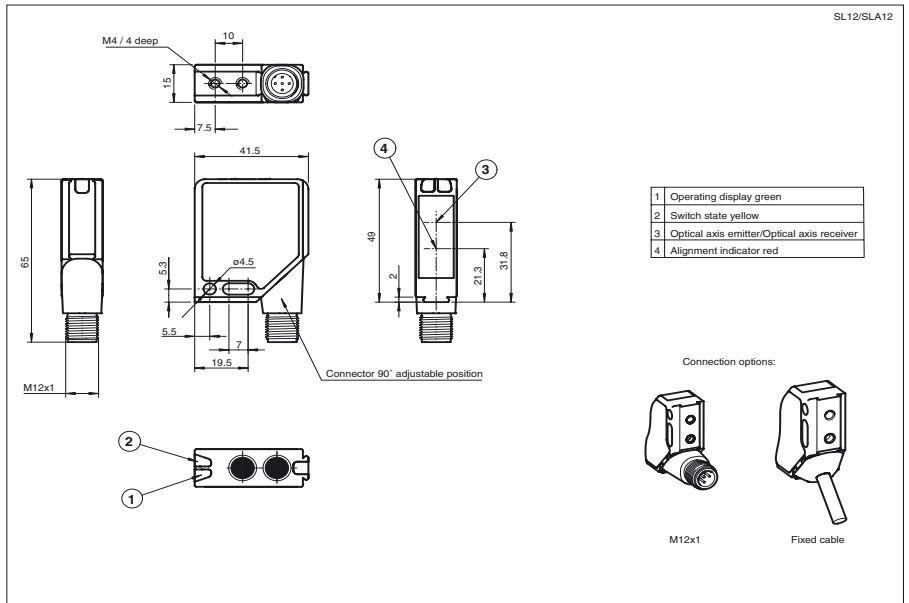




**Dimensions**



**Model Number**

**SL12/115**

Safety thru-beam sensor  
with fixed cable

**Features**

- Detection range up to 10 m
- Test input (Type 2 according to IEC/EN 61496-1)
- Red transmission light
- Integrated alignment aid
- Clearly visible LED functional display and pre-fault indicator on the receiver
- Sturdy housing
- Waterproof, protection class IP67
- Operation on control units of series SC2-2

**Accessories**

**SLA-1-M**  
Deviation mirror

**OMH-06**  
Mounting aid

**OMH-MLV12-HWG**  
Mounting aid

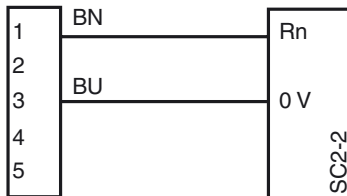
**OMH-MLV12-HWK**  
Mounting aid

**OMH-K01**  
Mounting aid

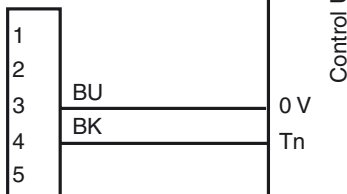
**OMH-K02**  
Mounting aid

**Electrical connection**

Receiver:



Emitter:



Release date: 2009-12-14 11:24 Date of issue: 2009-12-14 11:24 117301\_ENG.xml

**Technical data**

**General specifications**

Effective detection range	0.2 ... 10 m
Threshold detection range	16 m
Light source	LED, 660 nm
Light type	red, modulated light
Approvals	TÜV
Tests	IEC/EN 61496
Safety type according to IEC/EN 61496	2
Marking	CE
Obstacle size	static: 10 mm dynamic: 30 mm (at v = 1.6 m/s of the obstacle)
Alignment aid	LED red
Angle of divergence	< 10 °

**Functional safety related parameters**

Safety Integrity Level (SIL)	SIL 2
Performance level (PL)	PL d
Category	Cat. 2
Mission Time (T <sub>M</sub> )	20 a
PFH <sub>d</sub>	1 E-7

**Indicators/operating means**

Operating display	LED green
Function display	LED yellow: 1. LED lits constantly: signal > 2 x switching point (function reserve) 2. LED flashes: signal between 1 x switching point and 2 x switching point 3. LED off: signal < switching point

**Electrical specifications**

Operating voltage	U <sub>B</sub>	Power supply via control unit
-------------------	----------------	-------------------------------

**Ambient conditions**

Ambient temperature	-20 ... 60 °C (253 ... 333 K)
Storage temperature	-20 ... 70 °C (253 ... 343 K)
Relative humidity	max. 95 %, not condensing

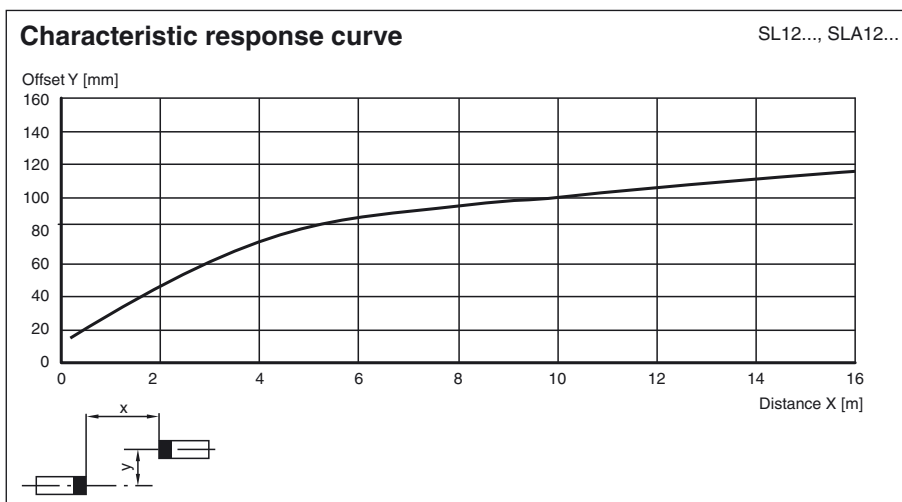
**Mechanical specifications**

Protection degree	IP67 according to EN 60529
Connection	2.5 m fixed cable, 5-core, Euronorm
Material	
Housing	Frame: die-cast zinc, nickel-plated Laterals: plastic PC, glass-fiber reinforced
Optical face	Plastic pane
Mass	per device 60 g

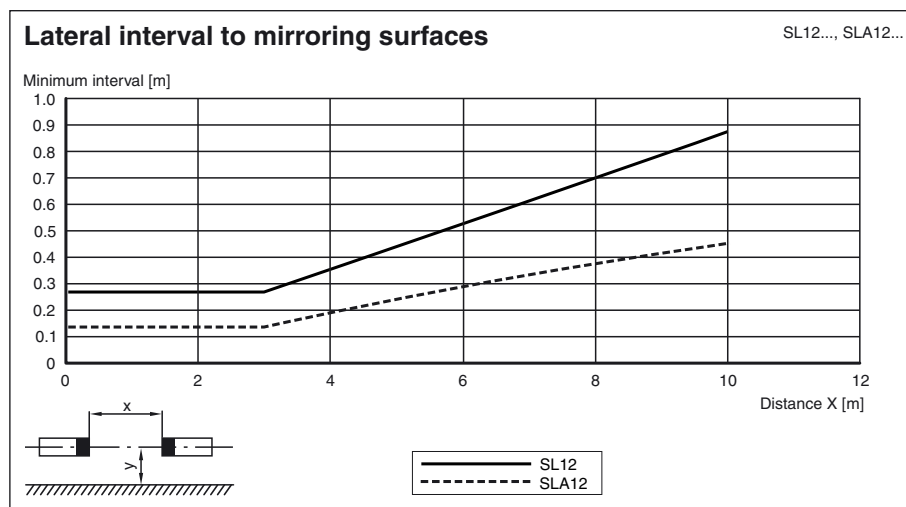
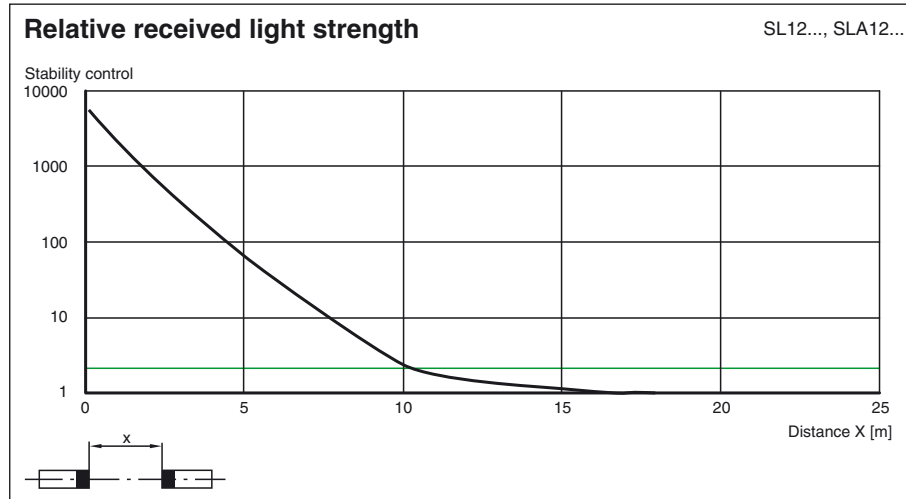
**General information**

System components	
Emitter	SL12-T/115
Receiver	SL12-R/115

**Curves/Diagrams**



Release date: 2009-12-14 11:24 Date of issue: 2009-12-14 117901\_ENG.xml



## Additional information

For much easier alignment even for long distance applications, an additional red LED is located in the receiver's optics:

- LED constantly illuminated:  
signal strength < switching level
- LED flashes:  
signal strength is between 1-fold switching level and 2-fold switching level
- LED off:  
signal strength ≥ 2-fold switching level (function reserve)

## System accessories

### Control units

SC2-2

### Cable sockets (not for option /115)

straight: V15-G-2M-PVC  
V15-G-5M-PVC  
V15-G-10M-PVC  
angled: V15-W-2M-PVC  
V15-W-5M-PVC  
V15-W-10M-PVC

### Mounting aids

Release date: 2009-12-14 11:24 Date of issue: 2009-12-14 11:24 117301\_ENG.xml

OMH-06  
OMH-MLV12-HWG  
OMH-MLV12-HWK  
OMH-K01  
OMH-K02

**Further accessories**

Redirection mirror  
SLA-1-M

Release date: 2009-12-14 11:24 Date of issue: 2009-12-14 11:24 117901\_ENG.xml