



**Model Number**

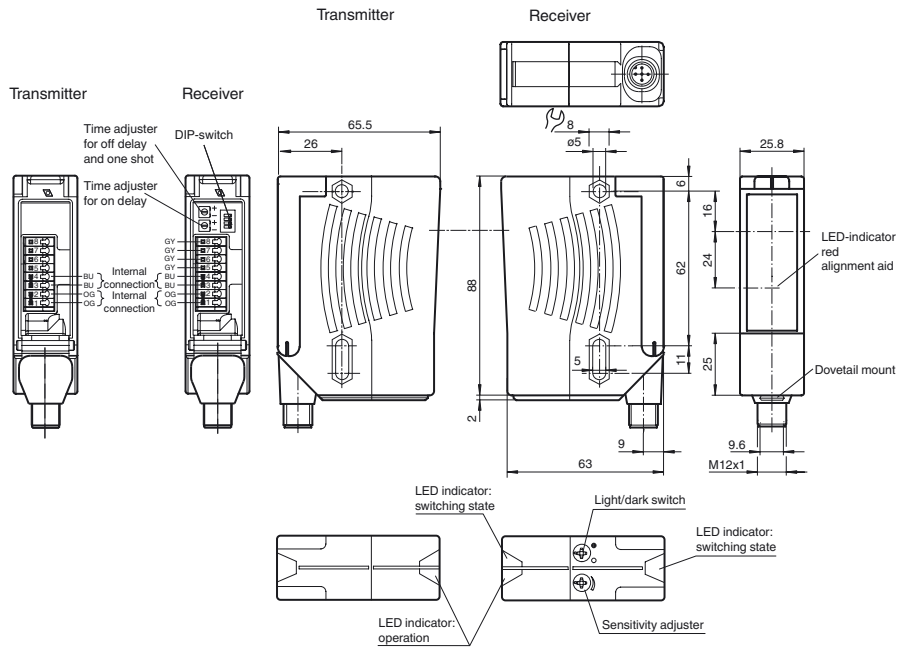
**LD28/LV28-Z-F2/76a/82b/110/112**

Thru-beam sensor  
with metal connector M12; 5-pin, 90°  
convertible

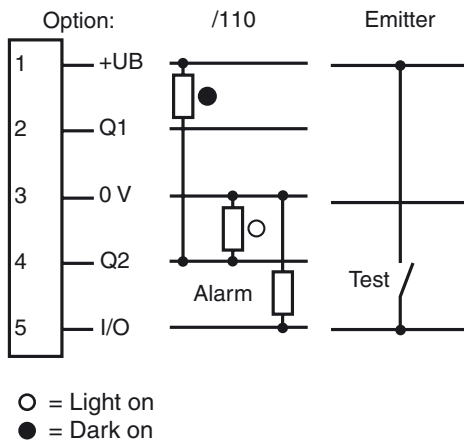
**Features**

- Ultra bright LEDs for power on, pre fault indication and switching state
- Highly visible LED as alignment aid in receiver optics
- Powerful push-pull output
- Emitter deactivation
- Programmable time function GAN, GAB, IAB as well as GAN-IAB and GAN-GAB as double function
- Not sensitive to ambient light, even with switched energy saving lamps
- Waterproof, protection degree IP67
- Protection class II

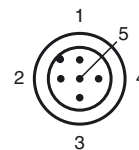
**Dimensions**



**Electrical connection**



**Pinout**



Release date: 2011-02-21 14:49 Date of issue: 2011-02-21 116626\_ENG.xml

Subject to modifications without notice

Pepperl+Fuchs Group  
www.pepperl-fuchs.com

USA: +1 330 486 0001  
fa-info@us.pepperl-fuchs.com

Germany: +49 621 776-4411  
fa-info@pepperl-fuchs.com

Copyright Pepperl+Fuchs  
Singapore: +65 6779 9091  
fa-info@sg.pepperl-fuchs.com

**Technical data****System components**

Emitter	LD28-F2/76a/112
Receiver	LV28-Z-F2/82b/110/112

**General specifications**

Effective detection range	0 ... 30 m
Threshold detection range	40 m
Light source	LED
Light type	modulated visible red light , 660 nm
Alignment aid	LED red (in receiver lens) illuminated constantly; beam is interrupted, flashes: reaching switching point, off: sufficient stability control
Transmitter frequency	F2 = 30 kHz
Diameter of the light spot	approx. 0.6 m at 30 m
Angle of divergence	Emitter 1.2°, Receiver 5°
Ambient light limit	50000 Lux

**Functional safety related parameters**

MTTF <sub>d</sub>	620 a
Mission Time (T <sub>M</sub> )	20 a
Diagnostic Coverage (DC)	90 %

**Indicators/operating means**

Operating display	LED green
Function display	LED yellow: 1. LED lit constantly: signal > 2 x switching point (function reserve) 2. LED flashes: signal between 1 x switching point and 2 x switching point 3. LED off: signal < switching point
Controls	sensitivity adjustment (Adjustment to < 25% of the effective operating range) , Light/Dark switch

**Electrical specifications**

Operating voltage	U <sub>B</sub>	10 ... 30 V DC
Ripple		10 %
No-load supply current	I <sub>0</sub>	Emitter: ≤ 50 mA Receiver: ≤ 35 mA

**Input**

Test input	emitter deactivation at +U <sub>B</sub> (I <sub>max.</sub> < 3 mA at 30 V DC)
------------	---

**Output**

Output of the pre-fault indication	1 PNP transistor, short-circuit protected, protected from reverse polarity, open collector, U <sub>max</sub> = 30 V DC, I <sub>max</sub> = 0.2 A The output becomes inactive if the signal level has fallen below the function reserve for approx. 10 s (yellow and red LEDs flash). If the light beam is interrupted four times during this period, the output immediately becomes inactive.	
Switching type	light/dark on, switchable (selectable, light/dark switching is only activated if the receiver has 'dark on' selected.)	
Signal output	1 push-pull output, short-circuit protected, reverse polarity protected	
Switching voltage	max. 30 V DC	
Switching current	max. 100 mA	
Switching frequency	f	1000 Hz
Response time	0.5 ms	
Timer function	ON delay (GAN), OFF delay (GAB), one shot (IAB), ON delay-one shot (GAN-IAB), ON delay-OFF delay (GAN-GAB), programmable adjustment interval 0.02 s ... 1 s	

**Ambient conditions**

Ambient temperature	-40 ... 60 °C (-40 ... 140 °F)
Storage temperature	-40 ... 75 °C (-40 ... 167 °F)

**Mechanical specifications**

Protection degree	IP67
Connection	5-pin, M12 x 1 connector, 90° rotatable
Material	
Housing	Plastic ABS
Optical face	Plastic pane
Mass	140 g (emitter and receiver)

**Compliance with standards and directives**

Standard conformity	
Product standard	EN 60947-5-2:2007

**Approvals and certificates**

UL approval	cULus
CCC approval	Products with a maximum operating voltage of ≤36 V do not bear a CCC marking because they do not require approval.

**Accessories****OMH-05**

Mounting aid for round steel ø 12 mm or sheet 1.5 mm ... 3 mm

**OMH-07**

Mounting aid for round steel ø 12 mm or sheet 1.5 mm ... 3 mm

**OMH-21**

Mounting bracket

**OMH-22**

Mounting bracket

**OMH-RLK29**

Mounting bracket

**OMH-MLV11-K**

dove tail mounting clamp

**OMH-RLK29-HW**

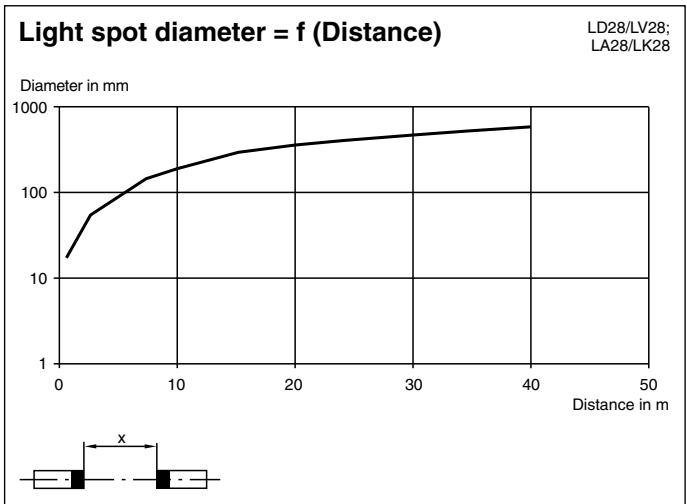
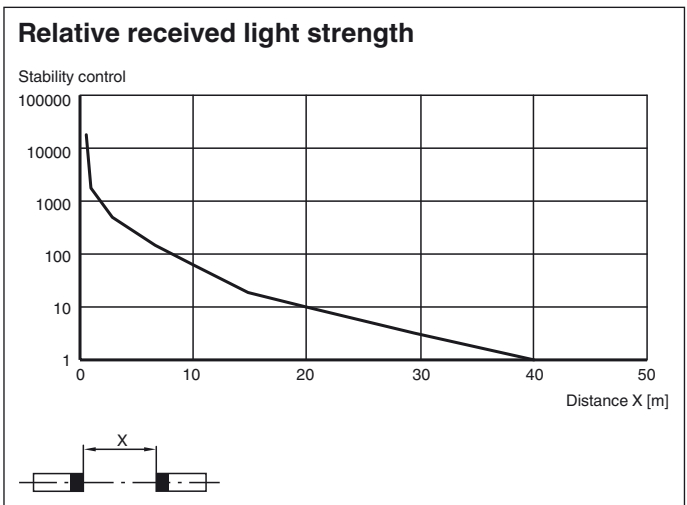
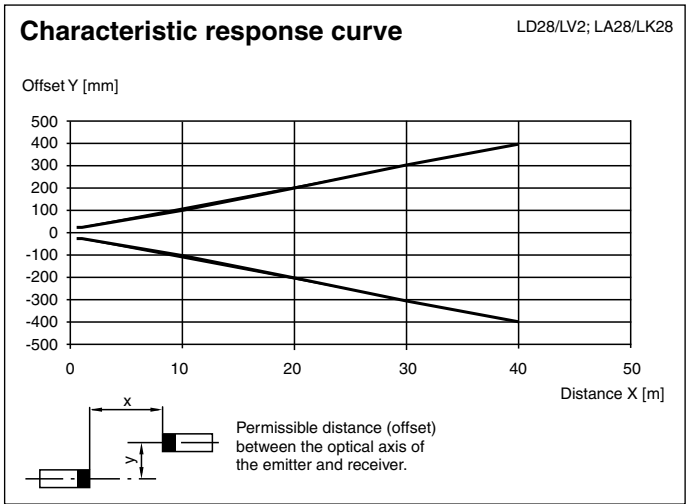
Mounting bracket for rear wall mounting

**OMH-RL28-C**

Protective cover

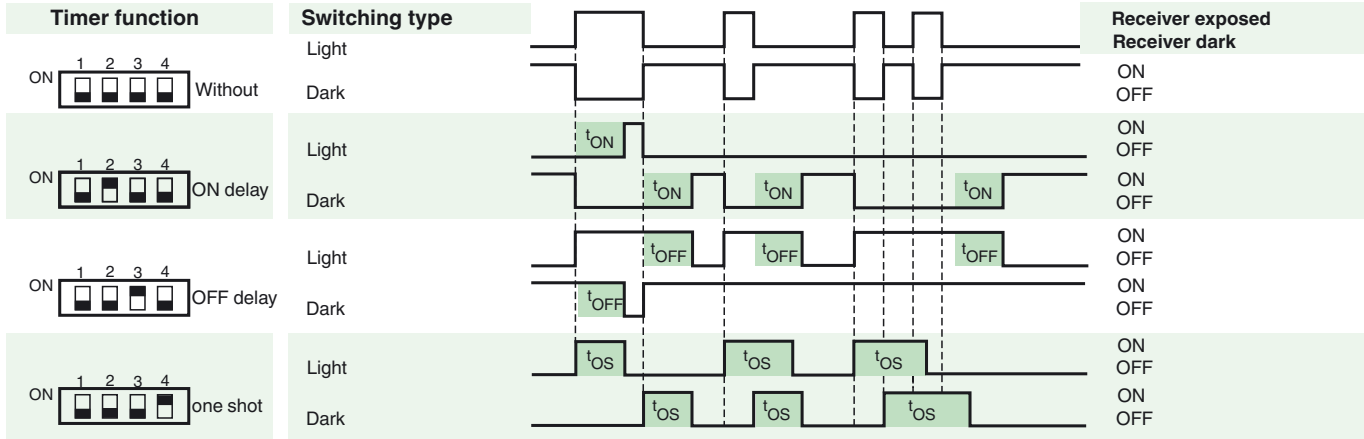
Other suitable accessories can be found at [www.pepperl-fuchs.com](http://www.pepperl-fuchs.com)

**Curves/Diagrams**



**Timer functions**

Release date: 2011-02-21 14:49 Date of issue: 2011-02-21 116626\_ENG.xml



Time  $t_{ON}$ ,  $t_{OFF}$  and  $t_{OS}$  are adjustable from 0.02 to 1 seconds.  
 The Light-/Dark-Switch (Left, outer switch) is shown in the "Dark ON" position.

Type	Description	Notes
-Z	OFF delay timer	Adjustable time interval (0.02 s - 10 s)
	one shot timer	
	ON delay timer	
	ON delay timer / OFF delay timer	
	ON delay timer / one shot timer	