



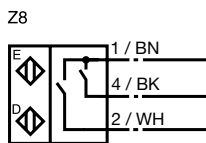
Model Number

NBB1,5-F78-Z8-C-0,2-V1

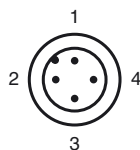
Features

- Basic series
- 1.5 mm embeddable
- Extremely bright LED indicator
- 360° visible LED
- Completely silicon free
- Acc. CNOMO norm
- Cable with M12 plug
- Weld resistant

Connection



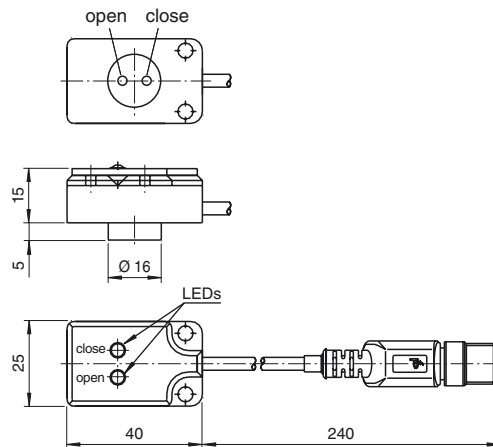
Pinout



Wire colors in accordance with EN 60947-5-2

1	BN	(brown)
2	WH	(white)
3	BU	(blue)
4	BK	(black)

Dimensions



Technical Data

General specifications

Switching element function	DC	NO
Rated operating distance	s_n	1.5 mm
Installation		embeddable
Assured operating distance	s_a	0 ... 1.21 mm

Nominal ratings

Operating voltage	U_B	10 ... 60 V
Switching frequency	f	0 ... 1000 Hz
Reverse polarity protected		reverse polarity protected
Short-circuit protection		yes
Voltage drop	U_d	≤ 5 V
Operating current	I_L	1.5 ... 100 mA
Off-state current	I_r	< 0.6 mA
Indication of the switching state		LED, yellow Engage (close) LED, green Degage (open)

Ambient conditions

Ambient temperature	-25 ... 70 °C (-13 ... 158 °F)
---------------------	--------------------------------

Mechanical specifications

Connection type	Cable connector M12 x 1 , 4-pin with PVC cable , 200 mm
Housing material	PA 6
Protection degree	IP67

Compliance with standards and directives

Standard conformity	
Standards	EN 60947-5-2:2007 IEC 60947-5-2:2007

Approvals and certificates

UL approval	cULus Listed, General Purpose
CSA approval	cCSAus Listed, General Purpose

Release date: 2011-09-07 11:58 Date of issue: 2011-09-07 11:58 eng.xml