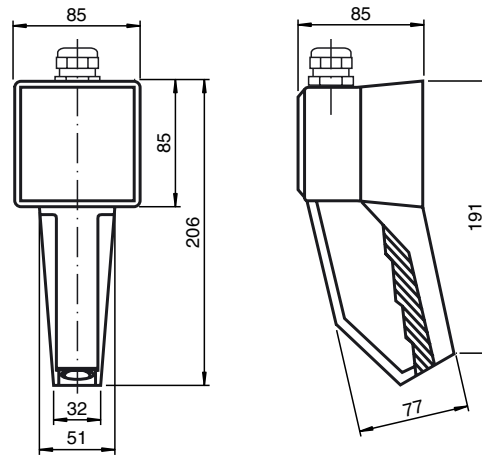




## Dimensions



## Model number

IPH-HH6-R5-Y115723

Read/write station

## Features

- With integrated control interface unit
- Dual-LED for function display
- Serial interface TTL
- Protection degree IP54

## Function

The write/read head has an integrated evaluation. It has a TTL-Interface and can be directly connected on a PSION workabout. The write/read head receives the commands for reading and writing the code carriers or the data carriers via this interface. The write/read head is suitable for small data carriers such as e. g. the IPC03-7H3, which are recessed in metal.

## Technical data

### General specifications

Operating frequency	125 kHz
Distance	distance tables, see introduction

### Indicators/operating means

LED green/yellow	Power on / IPC detected
------------------	-------------------------

### Electrical specifications

Rated operational voltage	$U_e$	4.8 ... 5.2 V DC
Power consumption	$P_0$	max. 1 W

### Interface

Physical	TTL
Transfer rate	1200; 2400; 4800; 9600; 19200; 38400 Bit/s

### Ambient conditions

Ambient temperature	-25 ... 60 °C (248 ... 333 K)
Storage temperature	-40 ... 60 °C (233 ... 333 K)

### Mechanical specifications

Protection degree	IP54 according to EN 60529
Connection	spiral cable with Sub-D connector
Material	
Housing	PA