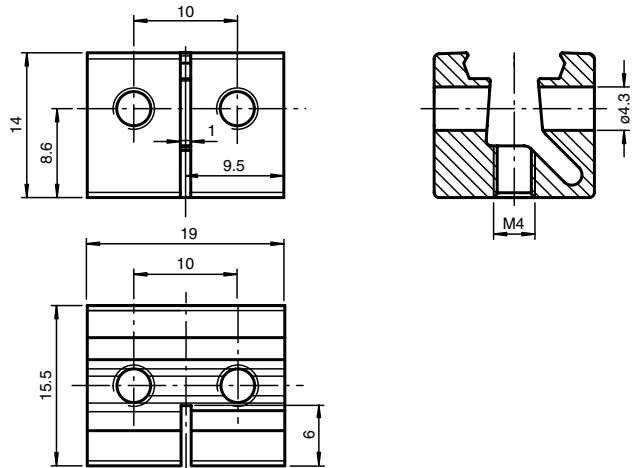


**Model number****OMH-K03**

Fixation clamp for sensors with dove tail

Features

- Fixation clamp
- Simple and fast mounting

Dimensions**Technical data****Mechanical specifications**

Material	anodised aluminium
Mass	approx. 6 g

Suitable series

Series	MLV12
--------	-------