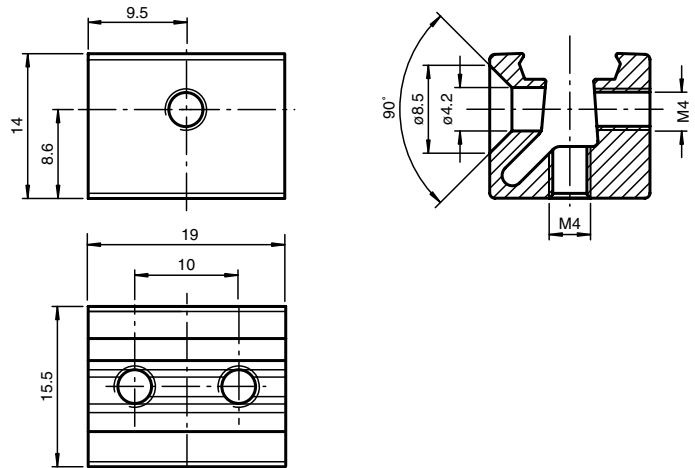




Dimensions



Model number

OMH-K01

Fixation clamp for sensors with dove tail

Features

- Fixation clamp
- Simple and fast mounting

Technical data

Mechanical specifications

Material	anodised aluminium
Mass	approx. 10 g

suitable series

Series	MLV12
Safety Series	SL12, SLA12