



Model Number

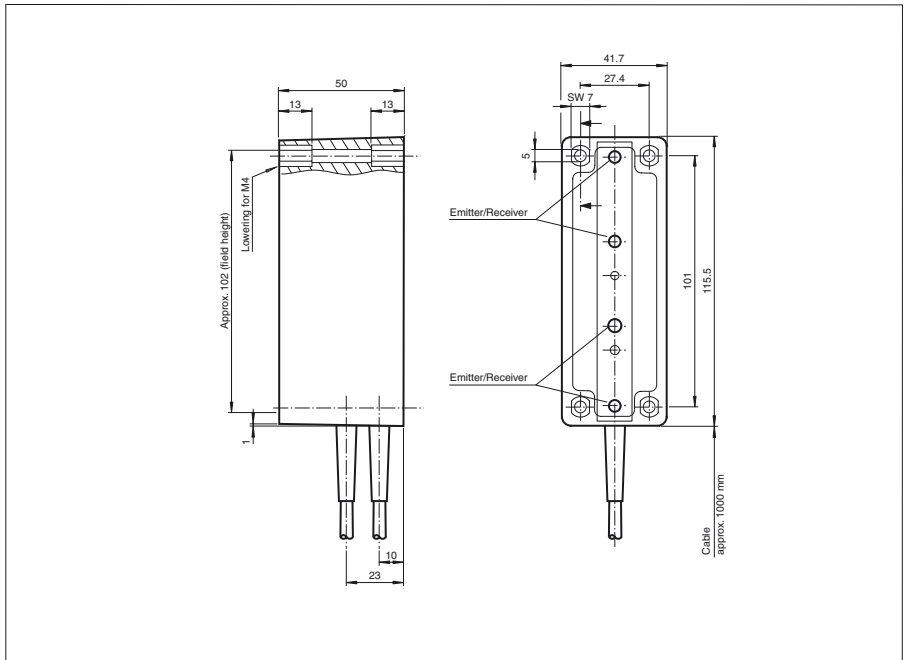
PR4-150-K-2-W-S

Light grid
with fixed cable 2.5 m or with 7-pin connector

Features

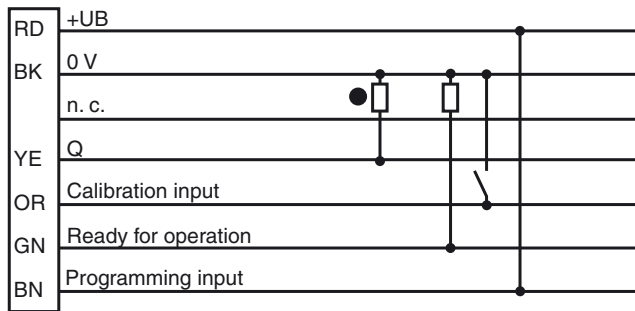
- Sensing range up to 1500 mm
- High-resolution light grid
- Suited for recording of transparent objects
- Light grid with 4 beams, crossed or parallel
- Smallest obstacle size 15 mm
- Automatic switching threshold adaptation eliminates soiling effects

Dimensions

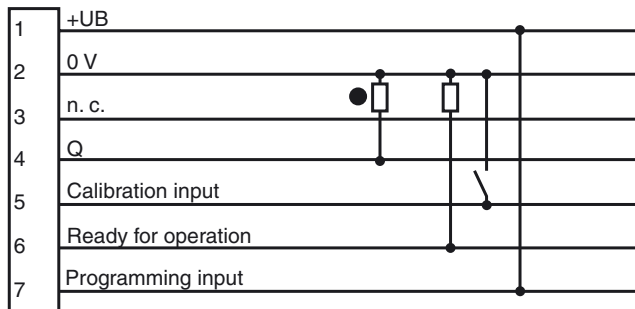


Electrical connection

Cable version



Connector version



○ = Light on
● = Dark on

Release date: 2011-02-11 11:52 Date of issue: 2011-02-11 11:559_ENG.xml

Subject to modifications without notice

Pepperl+Fuchs Group
www.pepperl-fuchs.com

USA: +1 330 486 0001
fa-info@us.pepperl-fuchs.com

Germany: +49 621 776-4411
fa-info@pepperl-fuchs.com

Copyright Pepperl+Fuchs
Singapore: +65 6779 9091
fa-info@sg.pepperl-fuchs.com

Technical data**General specifications**

Effective detection range	500 ... 1500 mm
Threshold detection range	1500 mm
Sensing range	0 ... 1500 mm
Light source	IREL
Light type	modulated infrared light
Approvals	CE
Field height	102 mm
Target size	15 mm
Beam spacing	33 mm
Number of beams	4
Angle of divergence	$\pm 8^\circ$
Ambient light limit	20000 Lux

Indicators/operating means

Function display	LED yellow, functional readiness, LED red, switching state, lights up when the beam field is interrupted
------------------	--

Electrical specifications

Operating voltage	U_B	24 ... 28 V DC
Ripple		5 %

Input

Function input	Automatic calibration according to application of the power supply, duration approx. 5 s
----------------	--

Output

Switching type	dark on	
Signal output	1 PNP, short-circuit protected, open collector	
Switching voltage	max. 28 V DC	
Switching current	100 mA	
Switching frequency	f	100 Hz
Response time		2 ms

Standard conformity

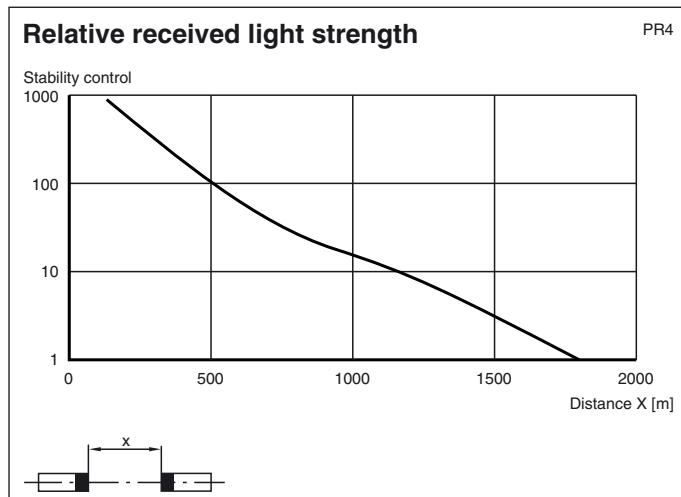
Standards	EN 60947-5-2
-----------	--------------

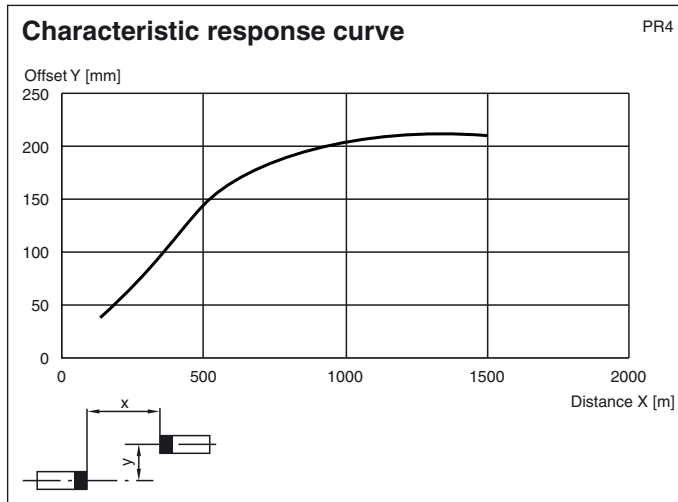
Ambient conditions

Ambient temperature	-15 ... 50 °C (5 ... 122 °F)
Storage temperature	-20 ... 75 °C (-4 ... 167 °F)

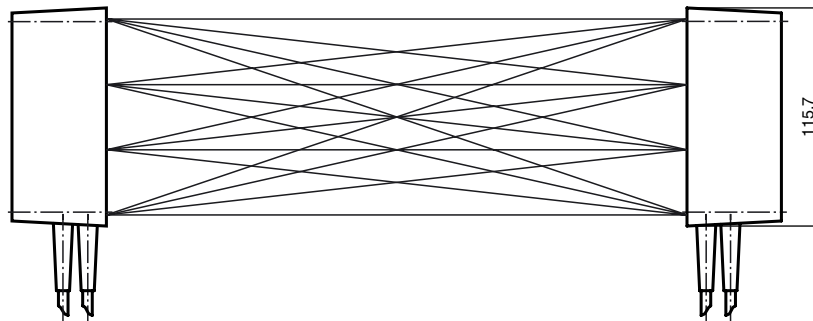
Mechanical specifications

Protection degree	IP67
Connection	7-pin, M8 x 1 connector
Material	
Housing	ABS
Optical face	PMMA
Mass	120 g (device)

Curves/Diagrams



Course of the beams



Accessories

Model number

Cable connector for light grid PR:V18-PR-ASK-VIS

Interconnecting cable for light grid PR:V18-PR-Verb-VIS