



Model Number

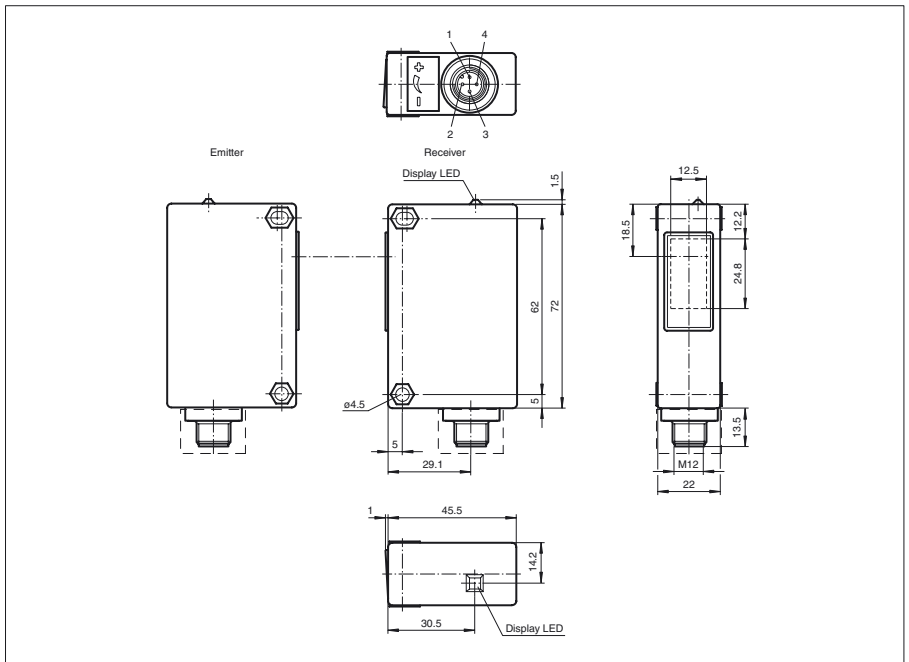
L32/LV32/35/47/73c

Thru-beam sensor
with 4-pin, M12 x 1 plastic connector

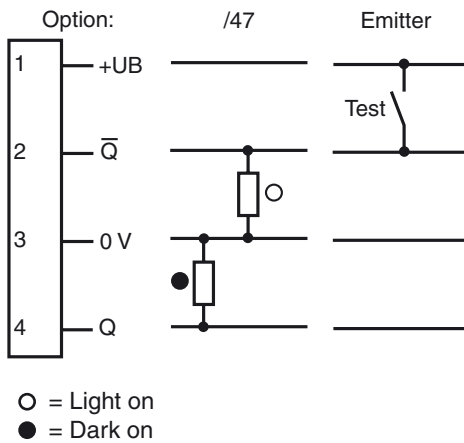
Features

- Excellent optical performance data
- Scratch-resistant and solvent resistant glass lens
- Test input

Dimensions



Electrical connection



Release date: 2011-04-15 14:40 Date of issue: 2011-04-19 11:5544_ENG.xml

Technical data**System components**

Emitter	L32/35
Receiver	LV32

General specifications

Effective detection range	0 ... 30 m
Threshold detection range	45 m
Light source	LED
Light type	modulated visible red light
Approvals	CE
Target size	18 mm
Diameter of the light spot	approx. 500 mm at 10 m detection range
Angle of divergence	approx. 3 °
Ambient light limit	60000 Lux

Indicators/operating means

Function display	LED yellow, lights up when light beam is free, flashes when falling short of the stability control
------------------	--

Electrical specifications

Operating voltage	U_B	10 ... 30 V DC
Ripple		10 %
No-load supply current	I_0	50 mA each

Input

Test input	Emitter deactivation
------------	----------------------

Output

Switching type	light/dark on	
Signal output	2 PNP, complementary, short-circuit protected, reverse polarity protected	
Switching voltage	30 V DC	
Switching current	max. 200 mA	
Switching frequency	f	150 Hz
Response time		3 ms

Standard conformity

Standards	EN 60947-5-2
-----------	--------------

Ambient conditions

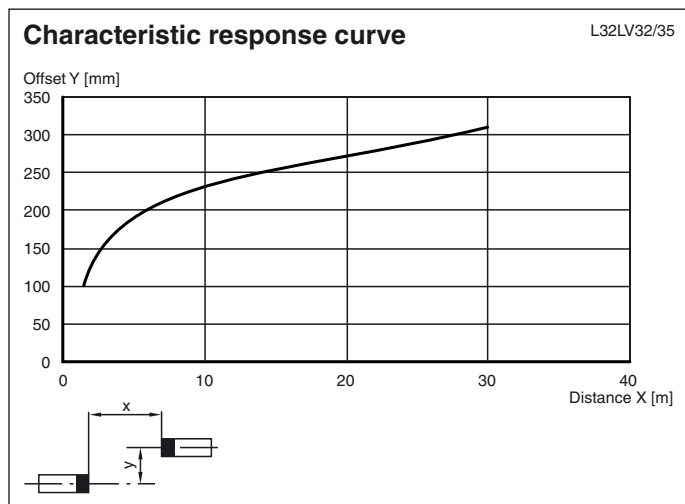
Ambient temperature	-20 ... 60 °C (-4 ... 140 °F)
Storage temperature	-20 ... 60 °C (-4 ... 140 °F)

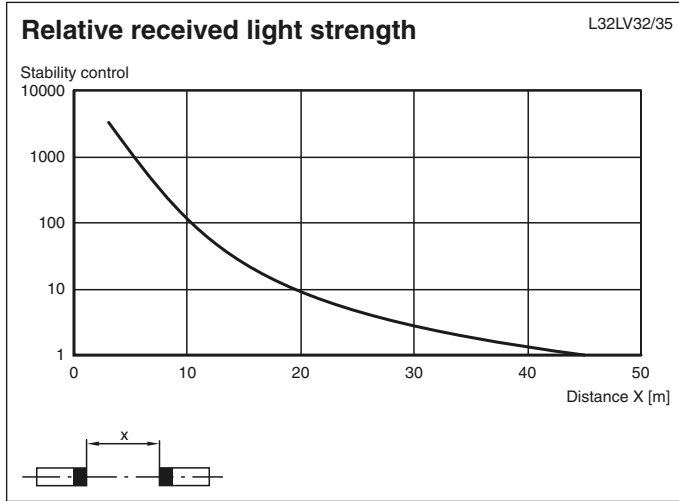
Mechanical specifications

Protection degree	IP65
Connection	Plastic connector M12 x 1, 4-pin
Material	
Housing	Terluran GV15
Optical face	glass
Mass	60 g (device)

Approvals and certificates

CCC approval	Products with a maximum operating voltage of ≤ 36 V do not bear a CCC marking because they do not require approval.
--------------	--

Curves/Diagrams



Release date: 2011-04-15 14:40 Date of issue: 2011-04-19 11:5544_ENG.xml

Subject to modifications without notice

Pepperl+Fuchs Group
www.pepperl-fuchs.com

USA: +1 330 486 0001
fa-info@us.pepperl-fuchs.com

Germany: +49 621 776-4411
fa-info@pepperl-fuchs.com

Copyright Pepperl+Fuchs
Singapore: +65 6779 9091
fa-info@sg.pepperl-fuchs.com