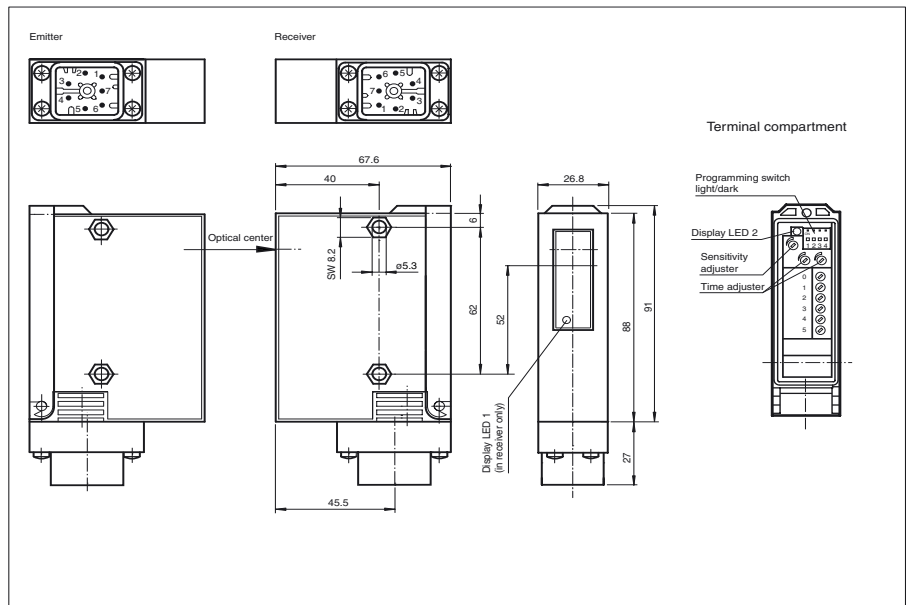




**Dimensions**



**Model Number**

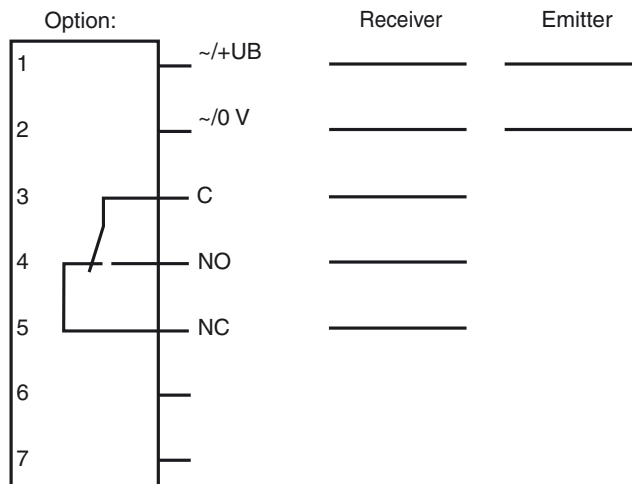
**L24/LK24/100D**

Thru-beam sensor  
with 7-pin surface-mounted connector up to  
250 VAC

**Features**

- Detection range up to 45 m
- Sturdy plastic housing
- Sensitivity adjuster and light-/dark switch
- Pre-fault indication and output
- 4 programmable time functions
- Operating voltage 24 V AC/DC or 12 V ... 240 V AC/DC

**Electrical connection**



○ = Light on  
● = Dark on

Release date: 2009-08-18 16:15 Date of issue: 2009-08-18 11:54:43\_ENG.xml

## Technical data

### General specifications

Effective detection range	0 ... 30 m
Threshold detection range	45 m
Light source	LED
Approvals	CE
USA	UL
Kanada	CSA
Obstacle size	25 mm
Light type	red, modulated light
Diameter of the light spot	250 mm at 10 m detection range
Angle of divergence	2 °
Ambient light limit	100000 Lux

### Indicators/operating means

Function display	LED yellow, frontal and in the terminal compartment, lit up when light beam is free, flashing when falling short of the stability control
Operating elements	Programming switch for light/dark ON, timer functions
Operating elements	2 potentiometers for timer functions
Operating elements	1 Potentiometer as sensitivity adjuster

### Electrical specifications

Operating voltage	$U_B$	12 ... 240 V AC/DC
Power consumption	$P_0$	3 VA

### Output

Switching type	light/dark switching	
Signal output	1 relay output, 1 alternator	
Switching voltage	max. 240 V AC	
Switching current	max. 2 A	
Switching frequency	$f$	25 Hz
Response time		20 ms
Timer function	GAN, GAB, IAB, GAN-GAB, programmable adjustment range 0.1 ...10 s	

### Standard conformity

Standards	EN 60947-5-2
-----------	--------------

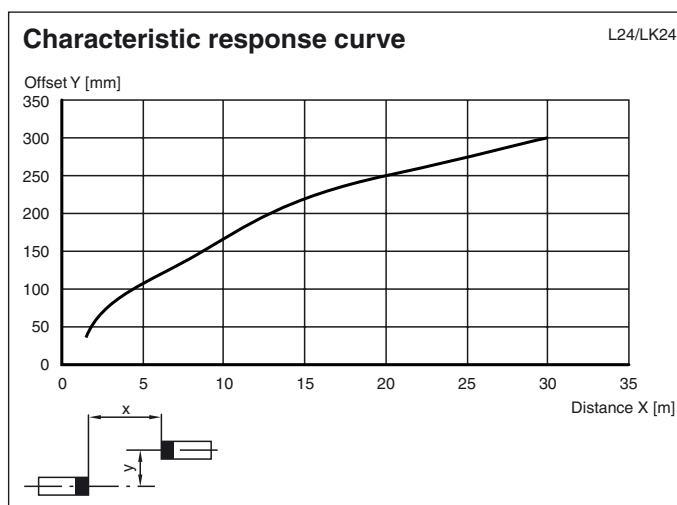
### Ambient conditions

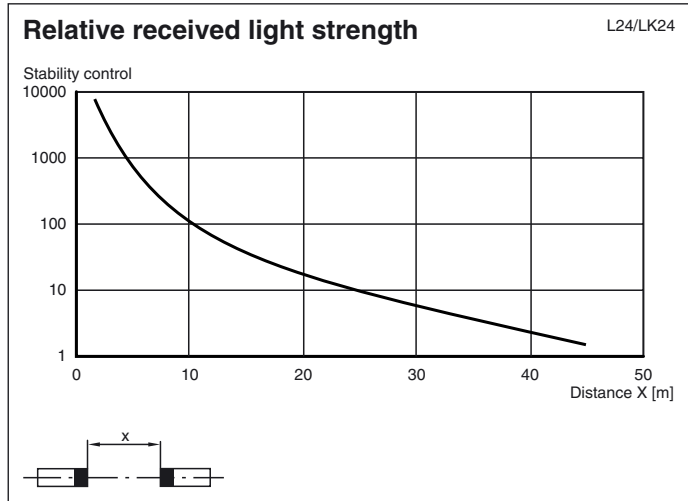
Ambient temperature	-20 ... 60 °C (253 ... 333 K)
Storage temperature	-20 ... 75 °C (253 ... 348 K)

### Mechanical specifications

Protection degree	IP65
Connection	7-pin surface-mounted connector, up to 250 VAC (without cable socket)
Material	
Housing	GF17
Optical face	glass
Mass	100 g (device)

## Curves/Diagrams





Release date: 2009-08-18 16:15 Date of issue: 2009-08-18 11:543\_ENG.xml