

M15/MV15/48/95

Single path light beam switch

M15/MV15/48/95

with M8, 4-pin metal connector



- ◆ Detection range up to 10 m
- ◆ Small dimensions
- ◆ Integrated signal converter
- ◆ Protection degree IP67
- ◆ Light adjuster

General specifications

Effective detection range	0 ... 5000 mm
Threshold detection range	10 m
Light source	IRED
Approvals	CE, cULus
Obstacle size	11 mm
Light type	infrared, modulated light
Diameter of the light spot	300 mm at 5000 mm detection range
Angle of divergence	emitter: approx. 3.5 ° receiver: approx. 5.5 °
Ambient light limit	100000 Lux

Indicators/operating means

Function display	LED yellow, lights up when light beam is free, flashes when falling short of the stability control
Operating elements	Sensitivity adjuster, light/dark switch

Electrical specifications

Operating voltage	10 ... 30 V DC
Ripple	10 %
No-load supply current I ₀	< 30 mA (device)

Input

Test input	Emitter deactivation for U _E = 10 ... 30 V
------------	---

Output

Switching type	light/dark switching
Signal output	2 npn antivalent, short-circuit proof, protected against reverse polarity
Switching voltage	max. 30 V DC
Switching current	max. 200 mA
Switching frequency f	500 Hz
Response time	1 ms

Standard conformity

Standards	EN 60947-5-2
-----------	--------------

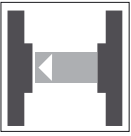
Ambient conditions

Ambient temperature	-20 ... 60 °C (253 ... 333 K)
Storage temperature	-20 ... 75 °C (253 ... 348 K)

Mechanical specifications

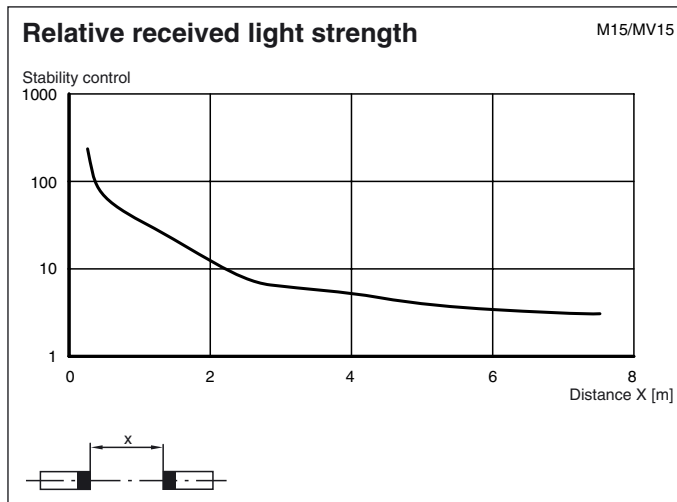
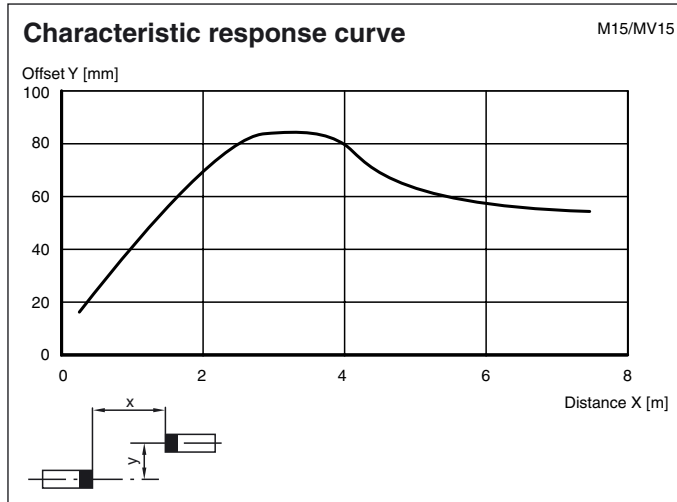
Protection degree	IP67
Connection	M8 connector, 4-pin
Material	
Housing	ABS
Optical face	plastic
Mass	15 g (device)

Release date: 2005-05-04 12:32 Date of issue: 2005-07-04 115520_ENG.xml

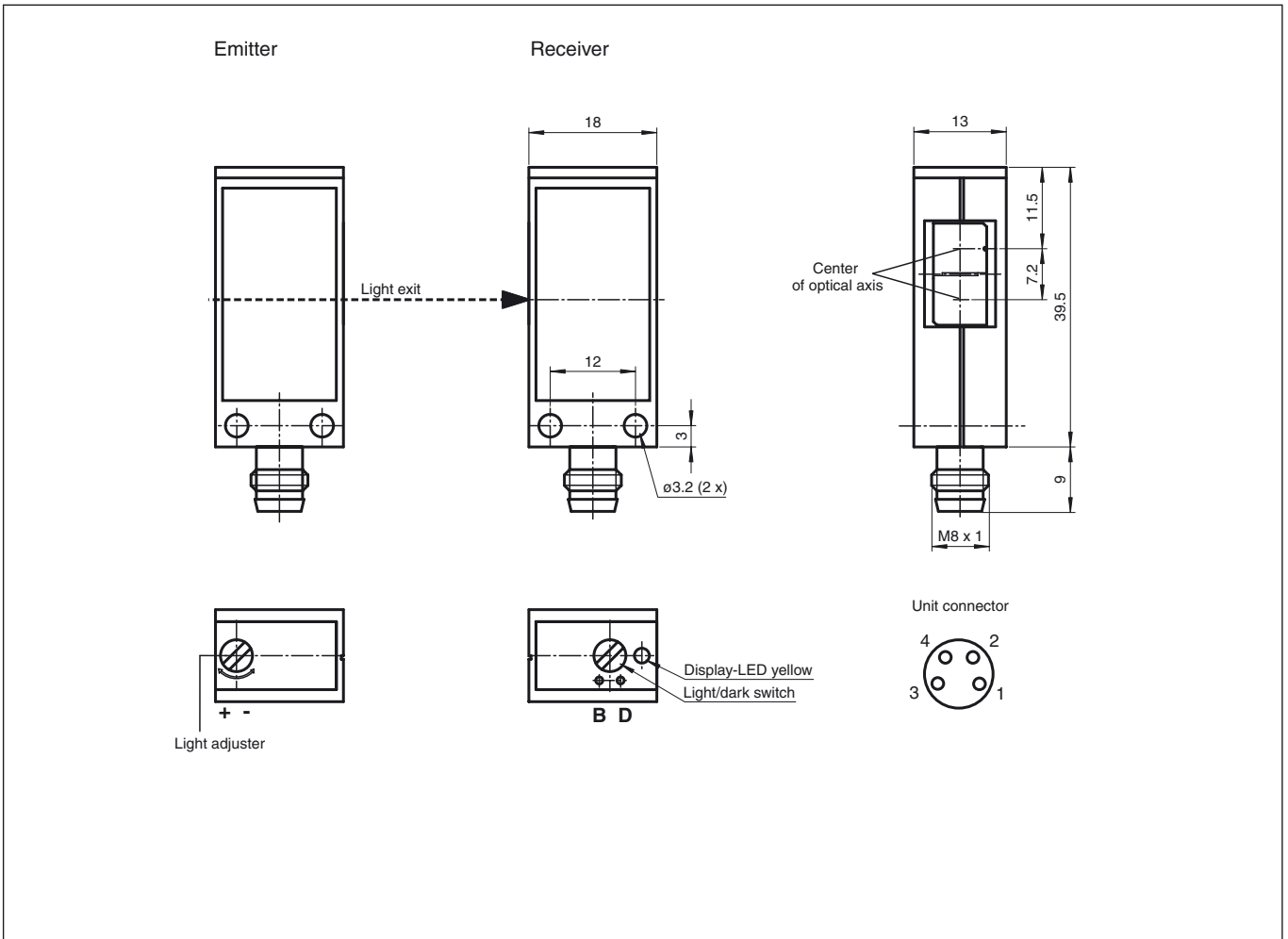


M15/MV15/48/95

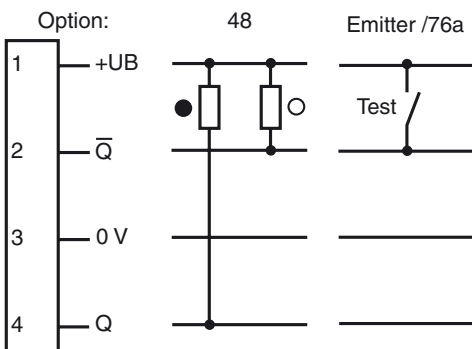
Curves/Diagrams



Dimensions



Electrical connection



Release date: 2005-05-04 12:32 Date of issue: 2005-07-04 115520_ENG.xml