



Model Number

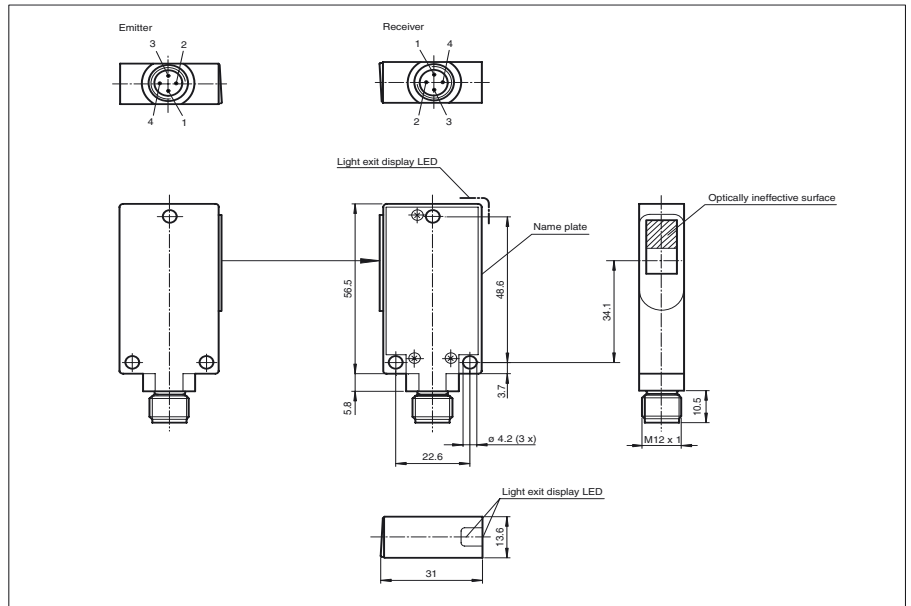
M40/MV40-1365/49/92

Thru-beam sensor
with M12, 4-pin metal connector

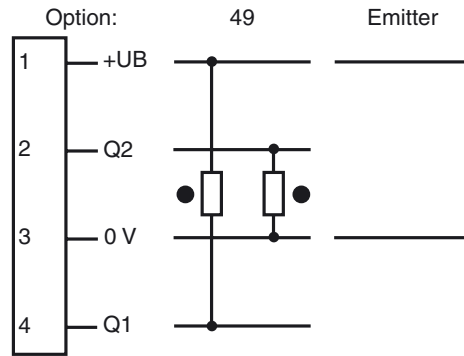
Features

- Sturdy aluminium housing
- Scratch-resistant and solvent resistant optical covering made of glass
- Pre-fault indication

Dimensions



Electrical connection



○ = Light on
● = Dark on

Technical data

General specifications

Effective detection range	0 ... 5 m
Threshold detection range	10 m
Light source	IREL
Approvals	CE, cULus
Obstacle size	18 mm
Light type	infrared, modulated light
Diameter of the light spot	150 mm at 5000 mm detection range
Angle of divergence	approx. 2 °
Ambient light limit	100000 Lux

Indicators/operating means

Function display	LED yellow, lights up when light beam is unblocked, flashes when falling short of the stability control
------------------	---

Electrical specifications

Operating voltage	10 ... 30 V DC
Ripple	5 %
No-load supply current	I_0 < 35 mA (emitter) ; < 25 mA (receiver)

Output

Switching type	dark ON
Signal output	1 pnp and 1 npn short-circuit proof, protected against reverse polarity
Switching voltage	30 V DC
Switching current	max. 200 mA
Switching frequency	f 100 Hz
Response time	5 ms

Standard conformity

Standards	EN 60947-5-2
-----------	--------------

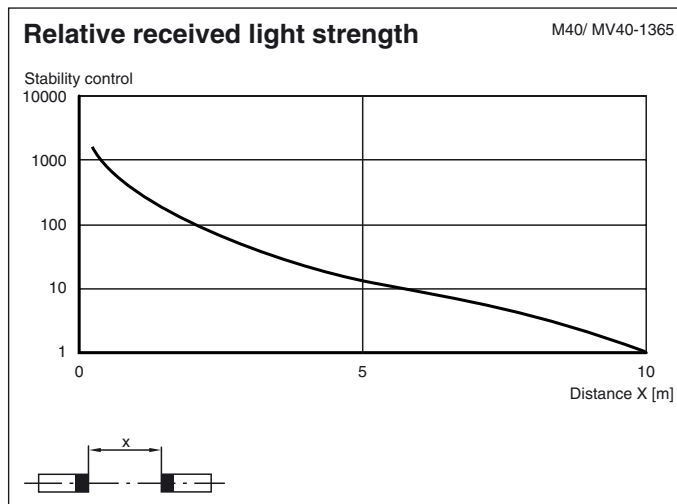
Ambient conditions

Ambient temperature	-20 ... 60 °C (253 ... 333 K)
Storage temperature	-20 ... 75 °C (253 ... 348 K)

Mechanical specifications

Protection degree	IP65
Connection	M12 connector, 4-pin
Material	
Housing	aluminium
Optical face	glass
Mass	100 g (device)

Curves/Diagrams



Release date: 2007-09-20 16:58 Date of issue: 2007-09-20 11:55:19_ENG.xml

