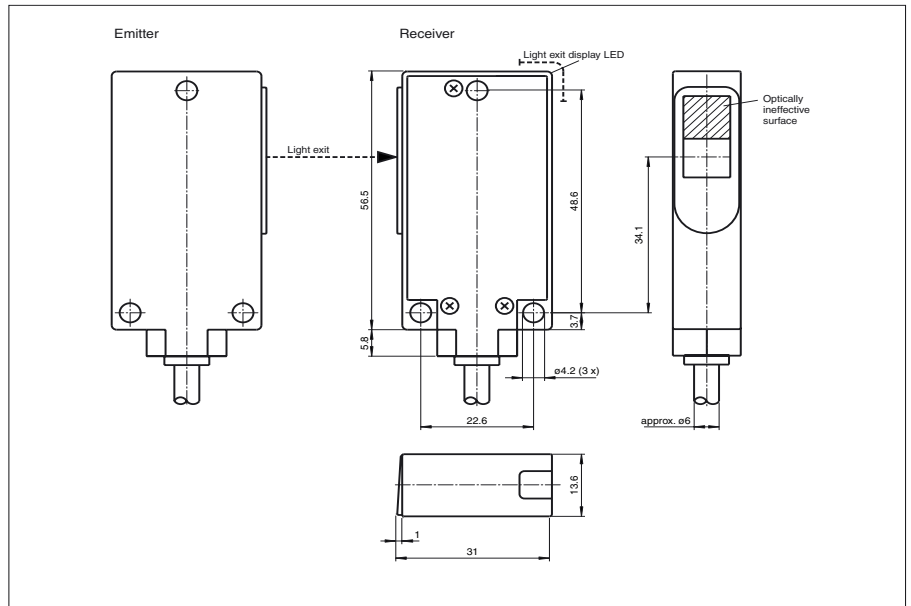




Dimensions



Model Number

M40/MV40-1365/47/115

Thru-beam sensor
with 2 m fixed cable

Features

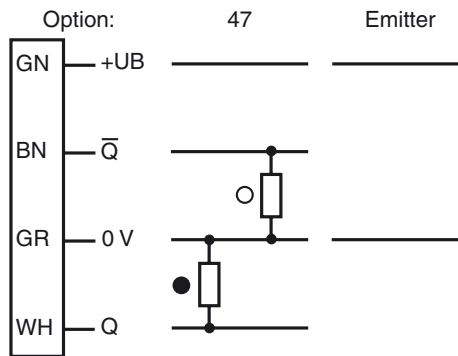
- Sturdy aluminium housing
- Scratch-resistant and solvent resistant optical covering made of glass
- Pre-fault indication

Accessories

OMH-40

Mounting aid

Electrical connection



○ = Light on
● = Dark on

Release date: 2007-11-27 10:51 Date of issue: 2007-11-27 11:5514_ENG.xml

Additional accessories can be found in the Internet.

Subject to reasonable modifications due to technical advances.

Copyright Pepperl+Fuchs, Printed in Germany

Pepperl+Fuchs Group • Tel.: Germany +49 621 776-0 • USA +1 330 4253555 • Singapore +65 67799091 • Internet <http://www.pepperl-fuchs.com>

Technical data

General specifications

Effective detection range	0 ... 5 m
Threshold detection range	10 m
Light source	IREL
Approvals	CE, cULus
Obstacle size	18 mm
Light type	infrared, modulated light
Diameter of the light spot	150 mm at 5000 mm detection range
Angle of divergence	approx. 2 °
Ambient light limit	100000 Lux

Indicators/operating means

Function display	LED yellow, lights up when light beam is unblocked, flashes when falling short of the stability control
------------------	---------------------------------------------------------------------------------------------------------

Electrical specifications

Operating voltage	10 ... 30 V DC
Ripple	5 %
No-load supply current	I_0 < 35 mA (emitter) ; < 25 mA (receiver)

Output

Switching type	light/dark switching
Signal output	2 pnp, antivalent, short-circuit proof, protected against reverse polarity
Switching voltage	30 V DC
Switching current	max. 200 mA
Switching frequency	f 100 Hz
Response time	5 ms

Standard conformity

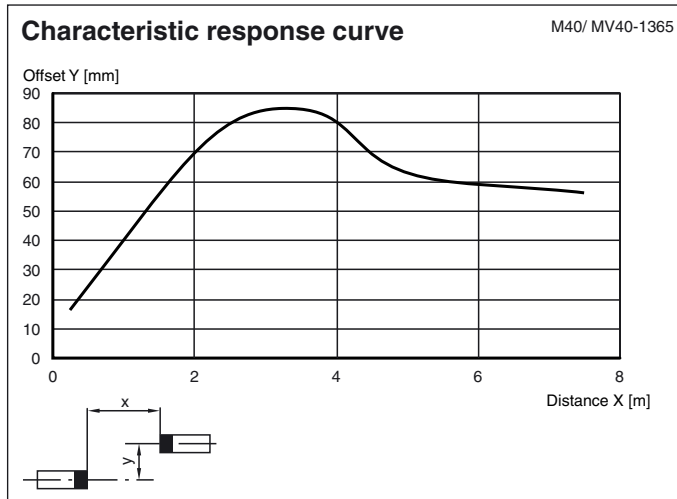
Standards	EN 60947-5-2
-----------	--------------

Ambient conditions

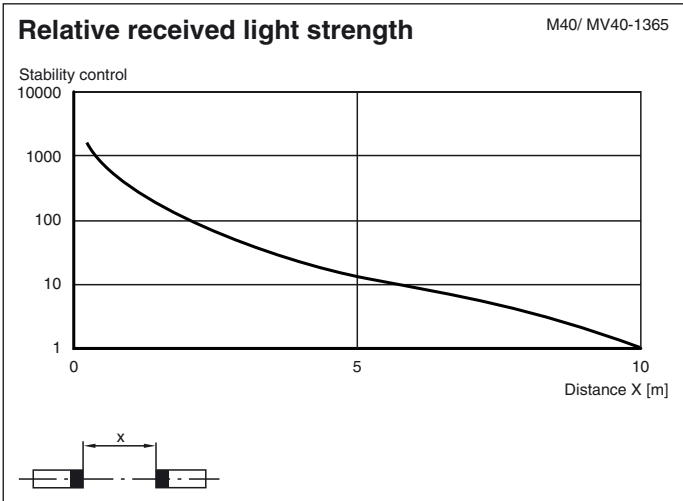
Ambient temperature	-20 ... 60 °C (253 ... 333 K)
Storage temperature	-20 ... 75 °C (253 ... 348 K)

Mechanical specifications

Protection degree	IP65
Connection	fixed cable 2 m
Material	
Housing	aluminium
Optical face	glass
Mass	100 g (device)



Release date: 2007-11-27 10:51 Date of issue: 2007-11-27 115514_ENG.xml



Release date: 2007-11-27 10:51 Date of issue: 2007-11-27 11:5514_ENG.xml