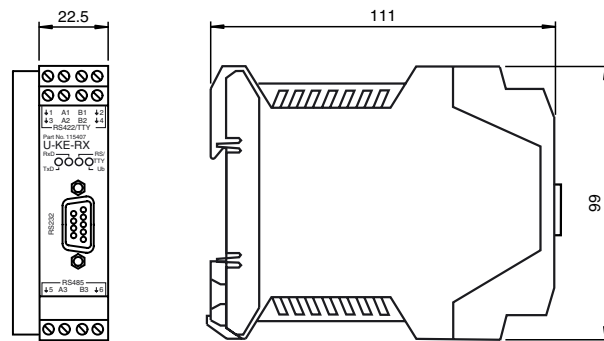




Dimensions



Model number

U-KE-RX

Interface converter with serial interface

Features

- Serial interface RS 232, RS 422, RS 485 or TTY
- 4 LEDs as function display

Function

The interface converter U-KE-RX is connected to a higher-order control system via a serial interface or a 20-mA current loop. Via this interface it receives e. g. the commands for writing or reading data carriers for the connected control interface unit. Serial communication is made through commands consisting of multiple ASCII characters.

Software

Communication with the identification system is very easy with the demo program IDENT 2005. It shows the system options and simplifies commissioning.

Matching system components

IPI-KED2-4H

Control interface unit

Technical data

Indicators/operating means

LED TxD	yellow: flashes in rhythm with the emitter data
LED RxD	green: flashes in rhythm of receiving data
LED RS/TTY	RS/TTY selection: green: RS 422; RS 485; RS 232 yellow: TTY (20 mA current loop)
LED U _B	green: Power on

Electrical specifications

Supply	from the control interface
--------	----------------------------

Interface

Physical	RS 232, RS 422, RS 485, TTY (20 mA current loop) Type of interface selectable (via RS/TTY switch)
Protocol	ASCII
Transfer rate	1200; 2400; 4800; 9600; 19200; 38400 Bit/s

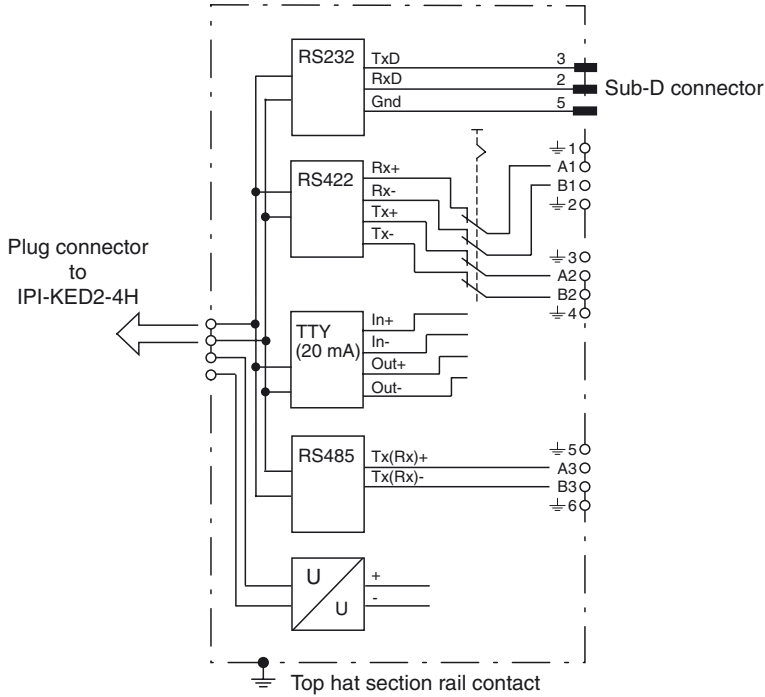
Ambient conditions

Ambient temperature	-25 ... 55 °C (248 ... 328 K)
Storage temperature	-40 ... 85 °C (233 ... 358 K)
Climatic conditions	air humidity max. 75 %
Shock and impact resistance	EN 60068

Mechanical specifications

Protection degree	IP20 to EN 60529 in combination with IPI-KED2-4H
Connection	removable terminals, max. conductor cross section 2 x 2.5 mm ² Functional ground via integrated hat-rail contact 9-pin Sub-D installation plug connector (male) for the RS 232 interface
Material	
Housing	Polyamide PA 6.6
Installation	DIN rail mounting
Construction type	KE system, 22.5 mm width

Electrical connection



Indicating/operating means

