



### Model Number

#### C-BOX 100

Connector box for barcode scanner

### Features

- Easy scanner connection by means of clamp terminals
- Protection degree IP65

### Documentation

Connector box for barcode scanner

### Accessories

#### ASK ADP-015

Adapter cable VB6 on C-BOX

## Technical Data

### Electrical specifications

Operating voltage 10 ... 30 V DC

### Interface

Interface type RS 232, RS 485

### Standard conformity

Standards EN 60947-5-2

### Ambient conditions

Ambient temperature -10 ... 50 °C (263 ... 323 K)

Storage temperature -20 ... 70 °C (253 ... 343 K)

Relative humidity 90 % , non-condensing

Shock resistance IEC 68-2-27 Test EA 30G; 11 ms; 3 impacts on each axis

Vibration resistance IEC 68-2-6 Test FC 1.5 mm ; 10 ... 55 Hz ; 2 hours on each axis

### Mechanical specifications

Protection degree IP64

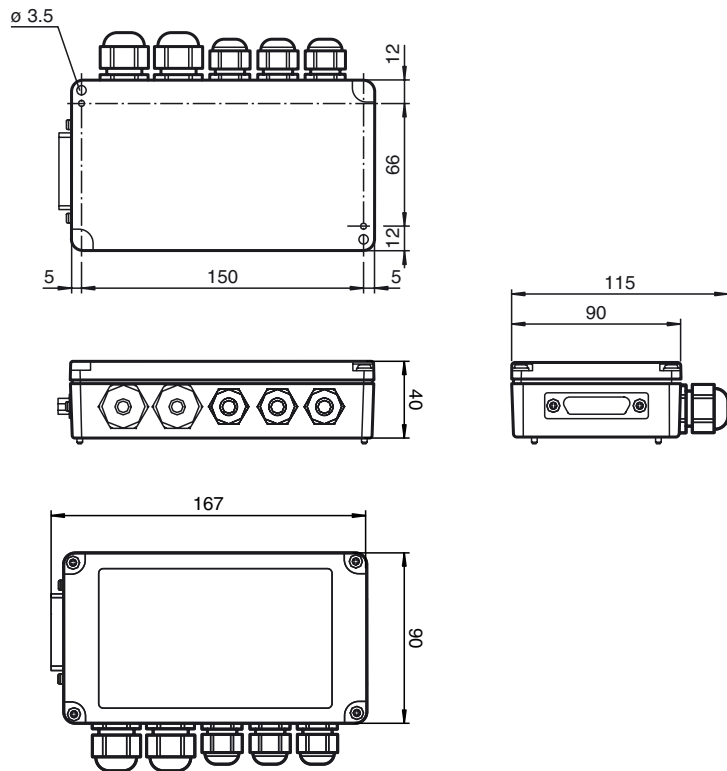
Connection 25-pin Sub-D socket for Barcode scanner , Sub-D socket, 9-pin for Interface cable , Cable screwed connection PG for system connection (5x)

### Material

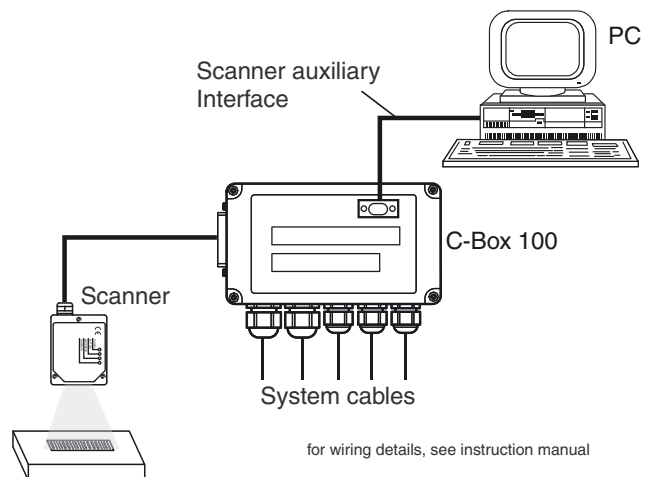
Housing PC (Polycarbonate)

Mass 320 g

## Dimensions

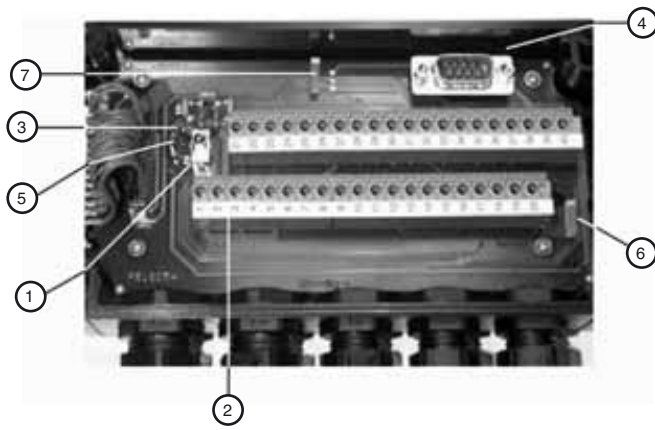


## Electrical connection



Electrical connection

Interior view



- |                         |                                    |
|-------------------------|------------------------------------|
| ① power switch (ON/OFF) | ④ auxiliary interface              |
| ② spring terminal strip | ⑤ selector switch earthing housing |
| ③ LED for ON/OFF (red)  | ⑥ selector switch terminator       |
|                         | ⑦ selector switch scanner          |