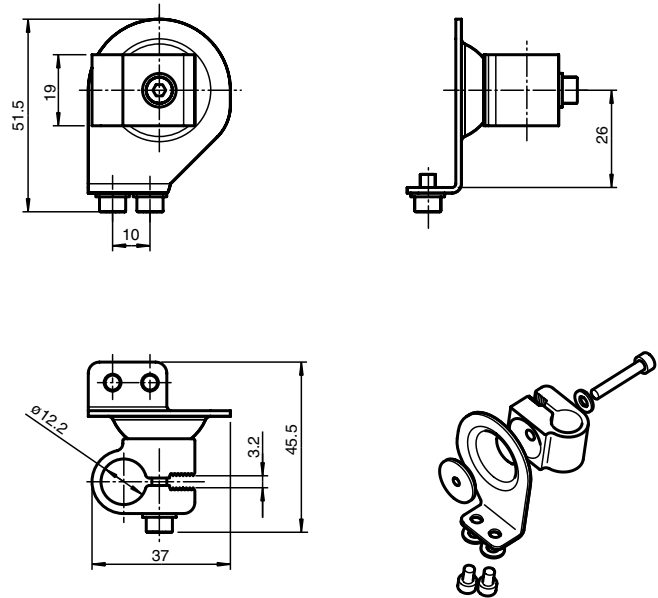


**Model number****OMH-06**Bracket for round steel \varnothing 12 mm or sheet 1.5 mm ... 3 mm**Features**

- Bracket for round steel or sheet

Dimensions**Technical data****Mechanical specifications**

Material	Metal sheet (steel), zinc plated aluminium
Mass	approx. 50 g
Mounting	Mounting accessories included

suitable series

Series	MLV12
Safety Series	SL12, SLA12