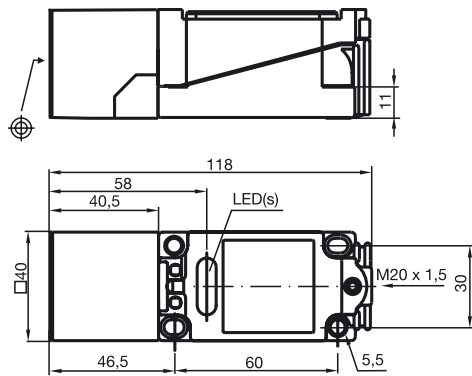
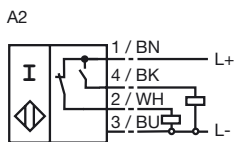


Temperature range
-25 ... 100 °C
15 mm embeddable
Metric cable gland M20 x
1.5



Switching element function	PNP Antivalent
Rated operating distance s_n	15 mm
Installation	embeddable
Assured operating distance s_a	0 ... 12,15 mm
Reduction factor r_{AI}	0,4
Reduction factor r_{Cu}	0,3
Reduction factor r_{V2A}	0,85
Operating voltage U_B	10 ... 60 V
Switching frequency f	0 ... 150 Hz
Hysteresis H	typ. 3 %
Reverse polarity protection	Protected against reverse polarity
Short circuit protection	pulsing
Voltage drop U_d	≤ 3 V
Operating current I_L	0 ... 200 mA
Off-state current I_r	0 ... 0,5 mA typ. 0,01 mA
No-load supply current I_0	≤ 20 mA
Operating voltage display	LED, green
Indication of the switching state	LED, yellow
Standards	EN 60947-5-2
Ambient temperature	-25 ... 100 °C (248 ... 373 K)
Connection type	terminal compartment
Core cross-section	up to 2.5 mm ²
Housing material	PBT
Sensing face	PBT
Protection degree	IP68

Connection_type:



114983_ENG.xml

2003-10-06