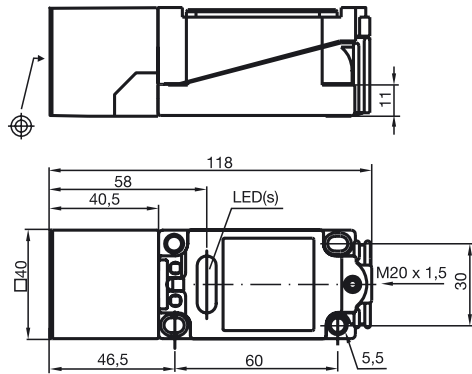
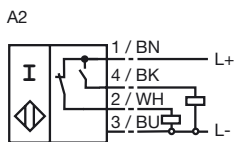


Comfort series  
 15 mm embeddable  
 Metric cable gland M20 x  
 1.5



Switching element function	PNP Antivalent
Rated operating distance $s_n$	15 mm
Installation	embeddable
Assured operating distance $s_a$	0 ... 12,15 mm
Reduction factor $r_{AI}$	0,4
Reduction factor $r_{Cu}$	0,3
Reduction factor $r_{V2A}$	0,85
Operating voltage $U_B$	10 ... 60 V
Switching frequency $f$	0 ... 150 Hz
Hysteresis $H$	typ. 3 %
Reverse polarity protection	Protected against reverse polarity
Short circuit protection	pulsing
Voltage drop $U_d$	$\leq 3$ V
Operating current $I_L$	0 ... 200 mA
Off-state current $I_r$	0 ... 0,5 mA typ. 0,01 mA
No-load supply current $I_0$	$\leq 20$ mA
Operating voltage display	LED, green
Indication of the switching state	LED, yellow
Standards	EN 60947-5-2
Ambient temperature	-25 ... 70 °C (248 ... 343 K)
Connection type	terminal compartment
Core cross-section	up to 2.5 mm <sup>2</sup>
Housing material	PBT
Sensing face	PBT
Protection degree	IP68

**Connection\_type:**



114962\_ENG.xml

2003-10-06