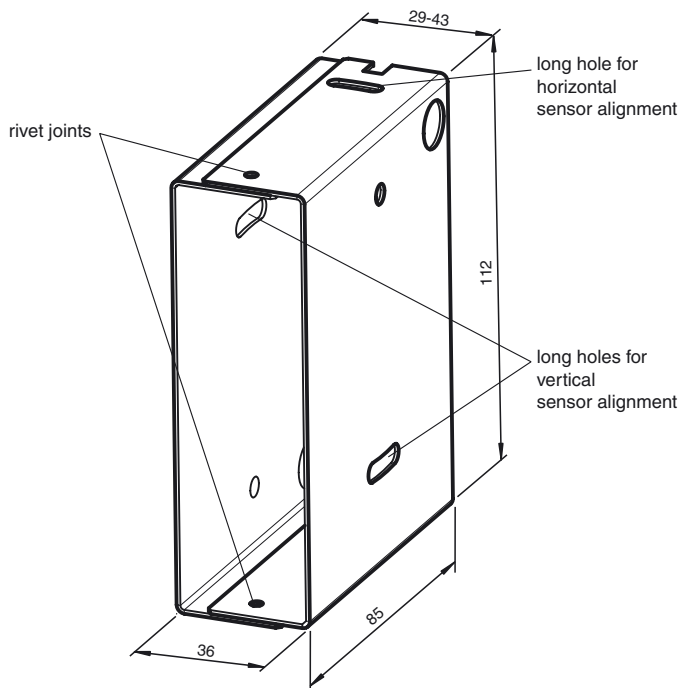




Dimensions



Model number

OMH-RLK29

Mounting bracket

Features

- Mounting bracket
- Simple and fast mounting

terminal compartment version only, option 116

Technical data

Mechanical specifications

Material	Stainless steel
Mass	approx. 85 g

Suitable series

Series	RLK28 RLK29
--------	----------------