



Model Number

RLK29-55/59/116

Retroreflective sensor with terminal compartment

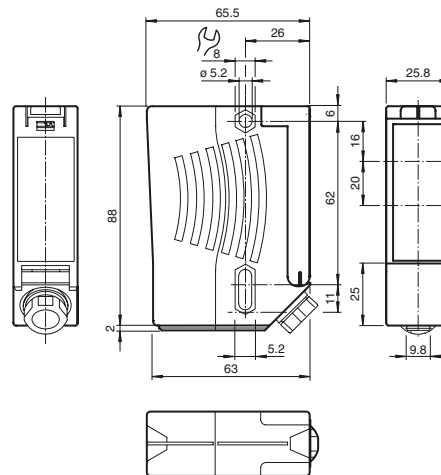
Features

- Robust, compact photoelectric sensor for single-beam gate protection
- Not sensitive to ambient light, even with energy saving lamps
- Tamper-proof, no operating controls
- Version for universal voltages
- Relay output

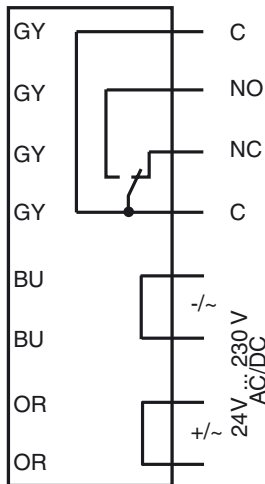
Product information

Series 29 is a range of low-cost and, most importantly, reliable photoelectric sensors for monitoring industrial doors, elevators, and automatic gates. Their high degree of protection makes them the ideal solution for tasks outdoors and at thresholds, and in harsh environments. These "universal-voltage sensors" can be operated with any supply voltage from 24 V to 240 V, and with direct current or alternating current.

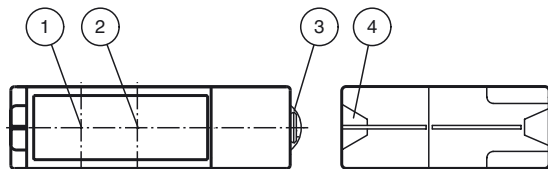
Dimensions



Electrical connection



Indicators/operating means



| | | |
|---|--------------------|--------|
| 1 | Emitter | |
| 2 | Receiver | |
| 3 | Dovetail mount | |
| 4 | Functional display | yellow |

Release date: 2012-06-01 12:23 Date of issue: 2012-08-16 114642_eng.xml

Subject to modifications without notice

Pepperl+Fuchs Group
www.pepperl-fuchs.com

USA: +1 330 486 0001
fa-info@us.pepperl-fuchs.com

Germany: +49 621 776-4411
fa-info@pepperl-fuchs.com

Copyright Pepperl+Fuchs
Singapore: +65 6779 9091
fa-info@sg.pepperl-fuchs.com

Technical data

General specifications

| | |
|----------------------------|--------------------------------------|
| Effective detection range | 0 ... 12 m |
| Reflector distance | 0.04 ... 12 m |
| Threshold detection range | 14 m |
| Reference target | H85-2 reflector |
| Light source | LED |
| Light type | modulated visible red light , 640 nm |
| Diameter of the light spot | approx. 35 mm at a distance of 12 m |
| Angle of divergence | ± 1 ° |
| Ambient light limit | 90000 Lux |

Functional safety related parameters

| | |
|--------------------------------|--------|
| MTTF _d | 1460 a |
| Mission Time (T _M) | 20 a |
| Diagnostic Coverage (DC) | 0 % |

Indicators/operating means

| | |
|------------------|--|
| Function display | LED red illuminates: when beam is free flashes: when level falls below function reserve off: when beam is interrupted |
|------------------|--|

Electrical specifications

| | | |
|------------------------|----------------|---|
| Operating voltage | U _B | 24 ... 230 V AC/DC |
| Ripple | | 10 % |
| No-load supply current | I ₀ | ≤ 8.5 mA |
| Power consumption | P ₀ | 0.2 W at 24 V DC , 1.8 W at 230 V AC 3 VA |

Output

| | | |
|---------------------|---------------------|-------|
| Switching type | dark on | |
| Signal output | Relay, 1 alternator | |
| Switching voltage | 230 V AC | |
| Switching current | max. 2 A | |
| Switching frequency | f | 7 Hz |
| Response time | | 50 ms |

Ambient conditions

| | |
|---------------------|--------------------------------|
| Ambient temperature | -20 ... 60 °C (-4 ... 140 °F) |
| Storage temperature | -30 ... 70 °C (-22 ... 158 °F) |

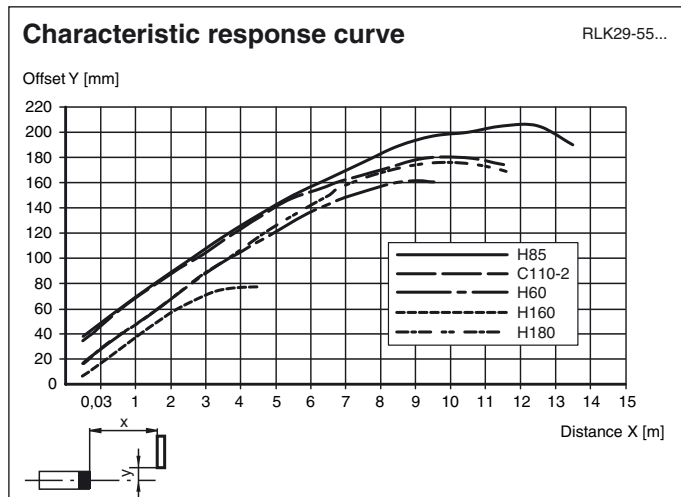
Mechanical specifications

| | |
|-------------------|--|
| Protection degree | IP67 |
| Connection | terminal compartment |
| Material | |
| Housing | Plastic ABS, flame resistant |
| Optical face | Plastic pane |
| Mass | 100.7 g |
| Note | Safety fuse ≤ 2 A (slow-blow) according to IEC 60127-2 Sheet 1 Recommendation: after a short circuit, check that the device is functioning correctly. |

Approvals and certificates

| | |
|---------------|---|
| CE conformity | yes |
| UL approval | cULus |
| CCC approval | Certified by China Compulsory Certification (CCC) |

Curves/Diagrams



Typical applications

- Monitoring closing edges of automatic industrial doors and elevators
- Monitoring the swing range of automatic gates
- Detecting and tracking objects in material handling

Detection area



Accessories

OMH-RLK29

Mounting bracket

OMH-RLK29-HW

Mounting bracket for rear wall mounting

OMH-21

Mounting bracket

OFR-100/100

Reflective tape 100 mm x 100 mm

REF-C110-2

Reflector, round ø 84 mm, central mounting hole

REF-H180

Reflector, rectangular 180 mm x 40 mm, mounting holes

REF-H160

Reflector, rectangular 60 mm x 18 mm, mounting holes

REF-H85-2

Reflector, rectangular 84.5 mm x 84.5 mm, mounting holes

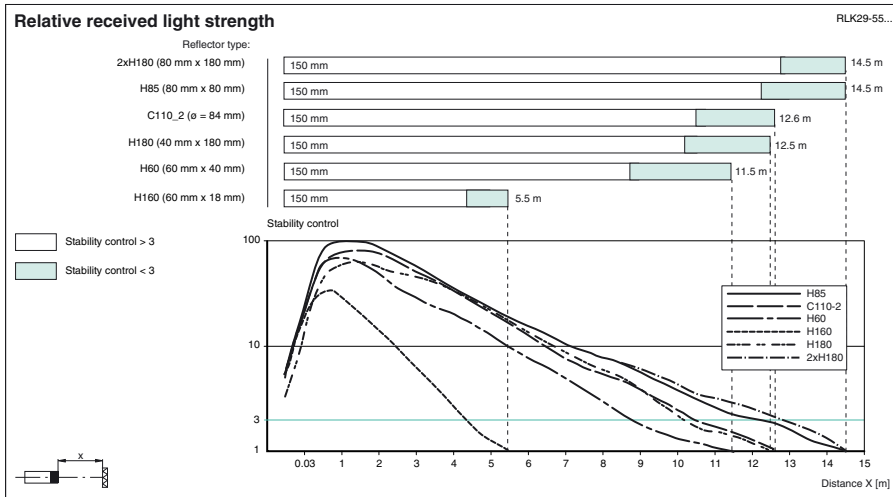
REF-H60-2

Reflector with mounting holes

REF-H50

Reflector, rectangular 51 mm x 51 mm, mounting holes, fixing strap

Other suitable accessories can be found at www.pepperl-fuchs.com



Release date: 2012-06-01 12:23 Date of issue: 2012-08-16 114642_eng.xml