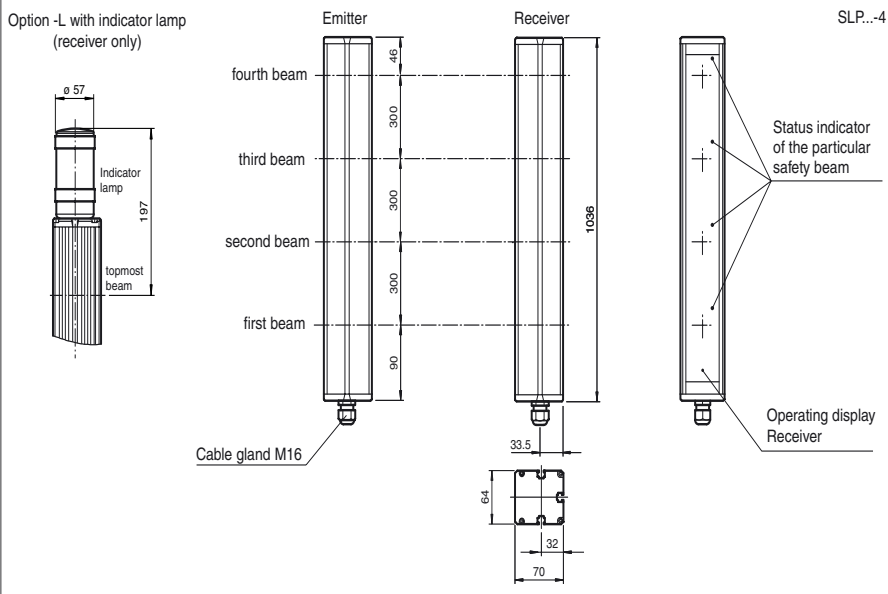


**Dimensions**



**Model Number**

**SLP65-4**

Safety light grid

**Features**

- Detection range up to 65 m
- Self-monitoring (type 4 according to IEC/EN 61496-1)
- 4-Radial design
- Beam spacing 300 mm
- Red transmission light
- Integrated function display
- Pre-fault indication
- Operation on control units of SB4 (SafeBox)

**Accessories**

**SLP-X-M**  
Mounting aid Safety

**MS SLP**  
Mounting aid Safety

**PG SLP-X**  
Mounting aid Safety

**PG HOLDER SLP**  
Mounting aid Safety

**PA SLP/SLC**  
Mounting aid Safety

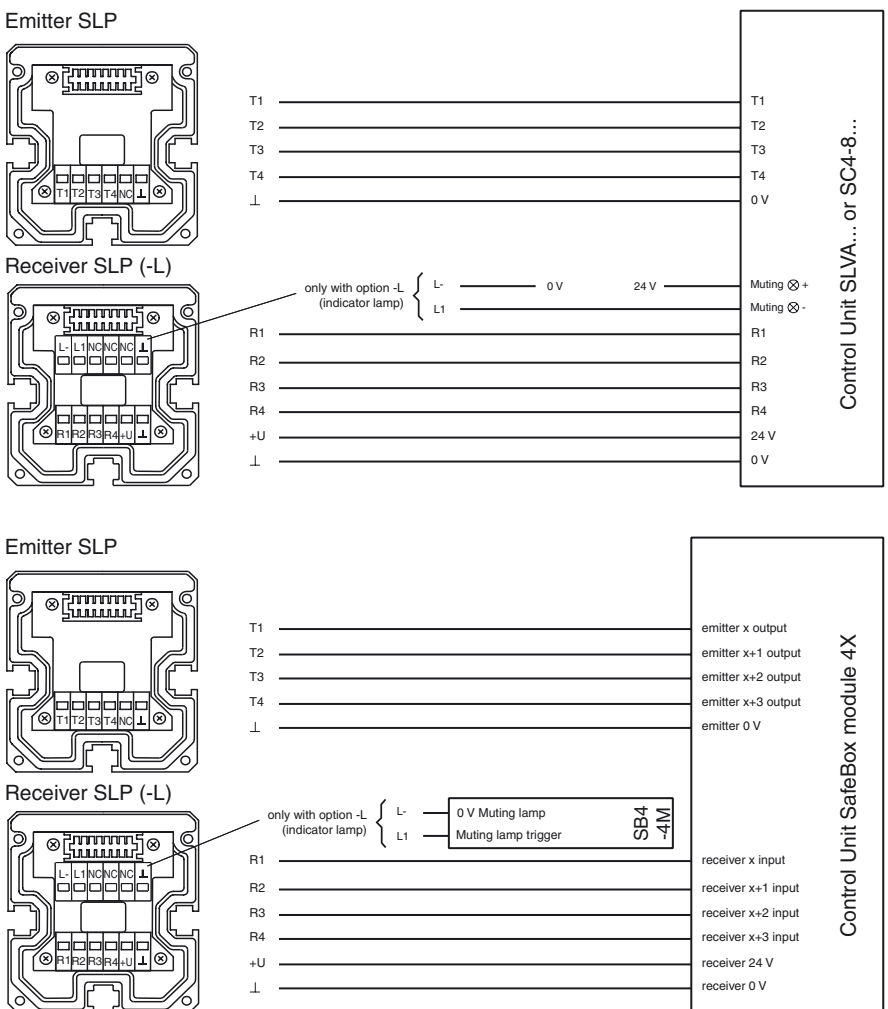
**BA SLP**  
Mounting aid Safety

**UC SLP/SLC**  
Mounting aid Safety

**UC SLP/SLC 1530 mm**  
Mounting aid Safety

Additional accessories can be found in the Internet.

**Electrical connection**



Release date: 2009-12-14 11:20 Date of issue: 2009-12-14 11:4475\_ENG.xml

**Technical data**

**General specifications**

Effective detection range	12 ... 65 m
Light source	LED
Light type	red, modulated light
Approvals	TÜV
Tests	IEC/EN 61496
Safety type according to IEC/EN 61496	4
Marking	CE
Obstacle size	static: 32 mm dynamic: 50 mm (at v = 1.6 m/s of the obstacle)
Beam spacing	300 mm
Number of beams	4
Angle of divergence	< 5 °

**Functional safety related parameters**

Safety Integrity Level (SIL)	SIL 3
Performance level (PL)	PL e
Category	Cat. 4
Mission Time (T <sub>M</sub> )	20 a
PFH <sub>d</sub>	2.81 E-9

**Indicators/operating means**

Operating display	LED red in receiver
Function display	LED red: per receiver channel off: Interruption flashes: receiver continuously on: reception with sufficient stability control
Pre-fault indication	Functional display flashing

**Electrical specifications**

Operating voltage	U <sub>B</sub>	Power supply via control unit
Protection class	III	

**Ambient conditions**

Ambient temperature	-20 ... 60 °C (253 ... 333 K)
Storage temperature	-20 ... 70 °C (253 ... 343 K)
Relative humidity	max. 95 %, not condensing

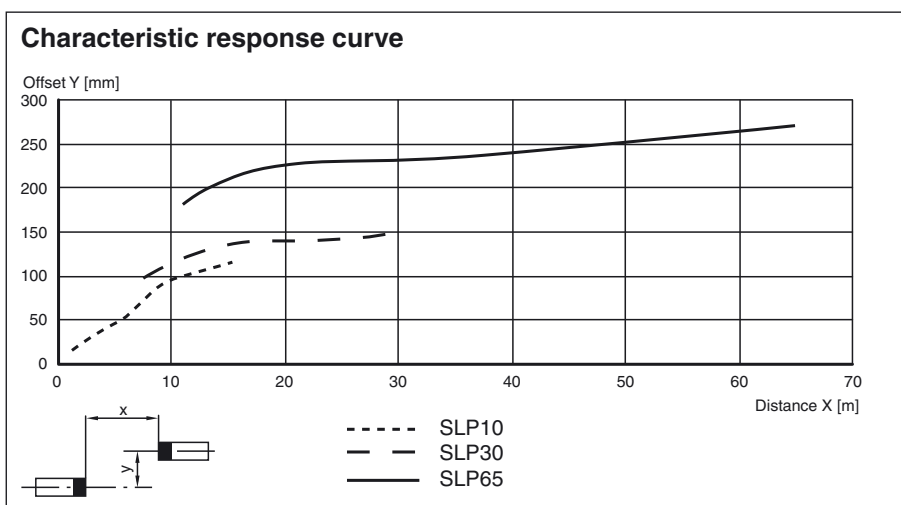
**Mechanical specifications**

Protection degree	IP65
Connection	Cable screwed connection M16 , terminal compartment
Connection options	Further electrical connection options on request: Connector DIN 43 651 Hirschmann, emitter: 6-pin+PE, receiver: 11-pin+PE
Material	
Housing	aluminium extruded structural profile, RAL 1021 (yellow) coated
Optical face	Plastic pane
Mass	Per 3500 g

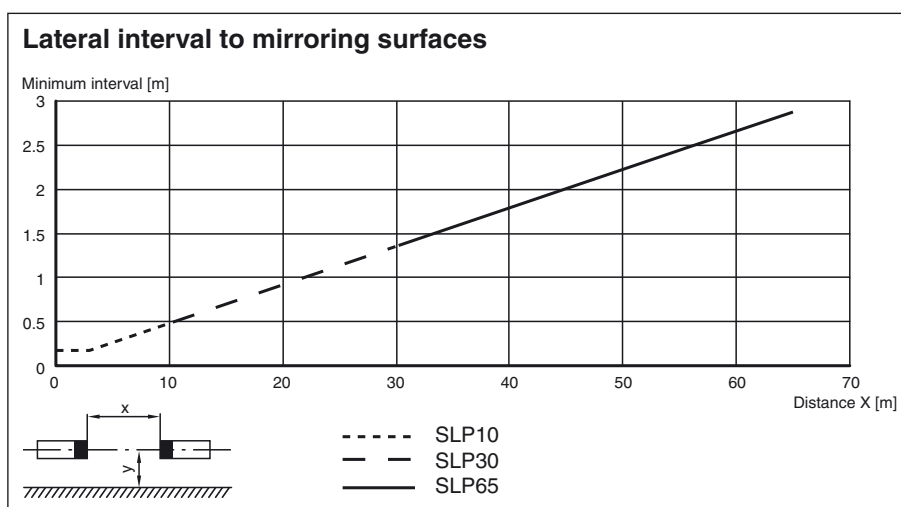
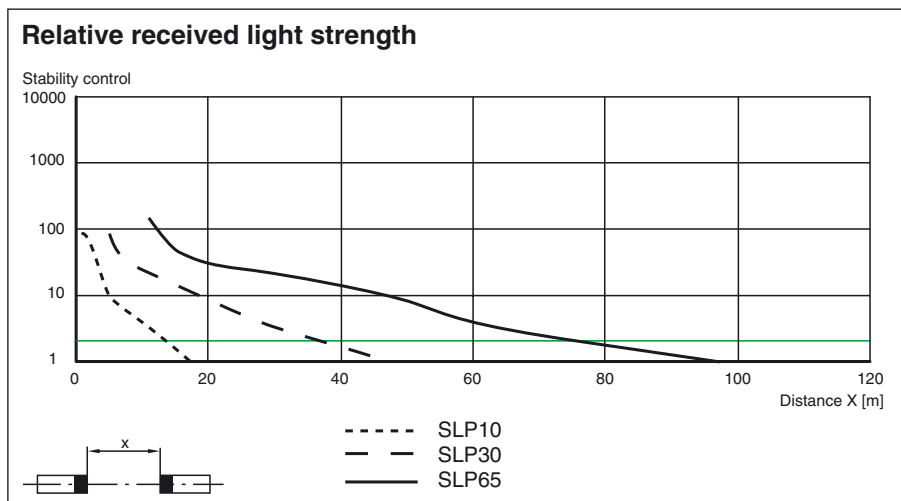
**General information**

System components	
Emitter	SLP65-4-T
Receiver	SLP65-4-R

**Curves/Diagrams**



Release date: 2009-12-14 11:20 Date of issue: 2009-12-14 11:4475\_ENG.xml



## System accessories

- Control unit SafeBox
- Mounting set MS SLP
- Protective glass pieces for SLP (to protect the optically functional surface)
- Ground pillar UC SLP/SLC
- Housing for pillar Enclosure UC SLP/SLC
- Collision protector Damping UC SLP/SLC
- Profile alignment aid
- Laser alignment aid SLP
- Redirection mirror for multi-side protection of hazardous areas SLP-...-M
- Muting Set MS SLP/SLA28 MS SLPCM

Release date: 2009-12-14 11:20 Date of issue: 2009-12-14 11:4475\_ENG.xml