



**Model Number**

**SLA5/92**

Safety thru-beam sensor  
with 4-pin, M12 connector

**Features**

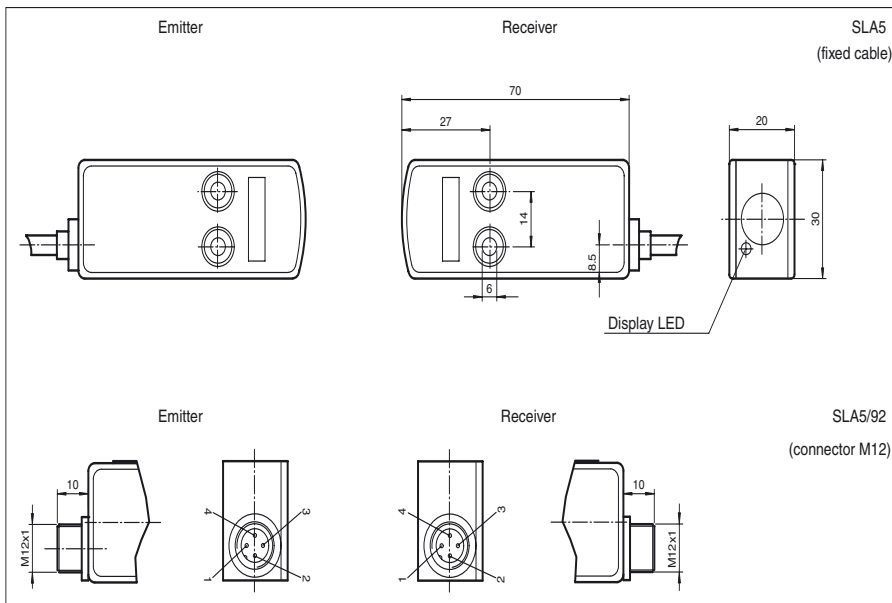
- Self-monitoring (type 4 according to IEC/EN 61496-1)
- Red transmission light
- Clearly visible LED functional display and pre-fault indicator on the receiver
- Sturdy housing
- Operation on control units of SB4 (SafeBox)

**Accessories**

**SLA-1-M**

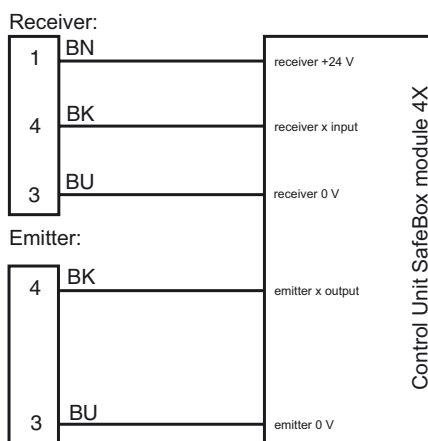
Deviation mirror

**Dimensions**

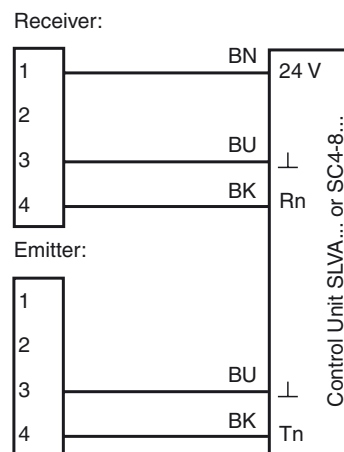


**Electrical connection**

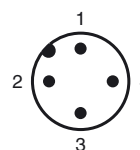
Design with connector plug



Design with connector plug



**Pinout**



Release date: 2009-12-14 11:10 Date of issue: 2009-12-14 114406\_ENG.xml

Additional accessories can be found in the Internet.

Subject to modifications without notice

Pepperl+Fuchs Group  
www.pepperl-fuchs.com

USA: +1 330 486 0001  
fa-info@us.pepperl-fuchs.com

Germany: +49 621 776-4411  
fa-info@pepperl-fuchs.com

Copyright Pepperl+Fuchs

Singapore: +65 6779 9091  
fa-info@sg.pepperl-fuchs.com

**PEPPERL+FUCHS**  
SENSING YOUR NEEDS

**Technical data**

**General specifications**

Effective detection range	0 ... 5 m
Number of protective field beams	1
Light source	LED
Light type	red, modulated light
Approvals	TÜV
Tests	IEC/EN 61496
Safety type according to IEC/EN 61496	4
Marking	CE
Obstacle size	static: 10 mm dynamic: 30 mm (at v = 1.6 m/s of the obstacle)
Angle of divergence	< 5 °

**Functional safety related parameters**

Safety Integrity Level (SIL)	SIL 3
Performance level (PL)	PL e
Category	Cat. 4
Mission Time (T <sub>M</sub> )	20 a
PFH <sub>d</sub>	4.4 E-10

**Indicators/operating means**

Function display	LED yellow/green in receiver: off: Interruption yellow: transmission green: reception with sufficient stability control
Pre-fault indication	LED functional display yellow

**Electrical specifications**

Operating voltage	U <sub>B</sub>	Power supply via control unit
-------------------	----------------	-------------------------------

**Ambient conditions**

Ambient temperature	-20 ... 60 °C (253 ... 333 K)
Storage temperature	-20 ... 70 °C (253 ... 343 K)
Relative humidity	max. 95 %, not condensing

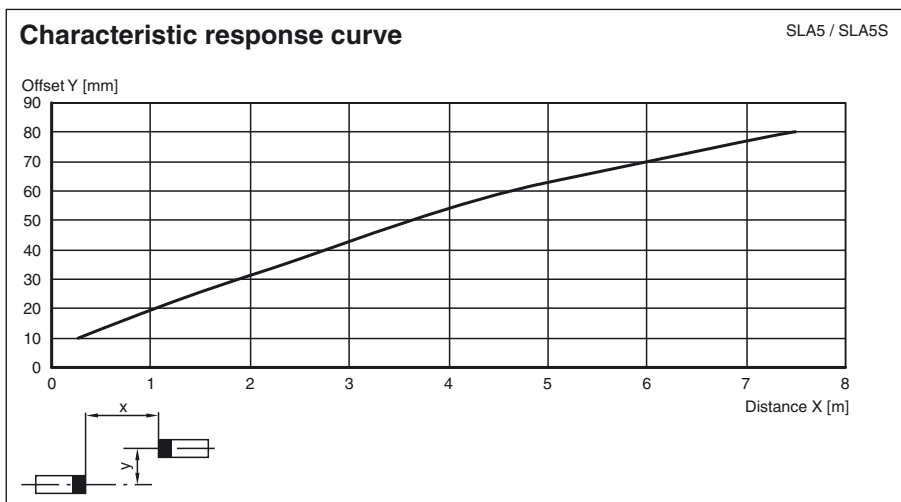
**Mechanical specifications**

Protection degree	IP65
Connection	M12 connector, 4-pin
Material	
Housing	ABS plastic, RLA 1021 (yellow) painted
Optical face	Plastic lens
Mass	Per 95 g

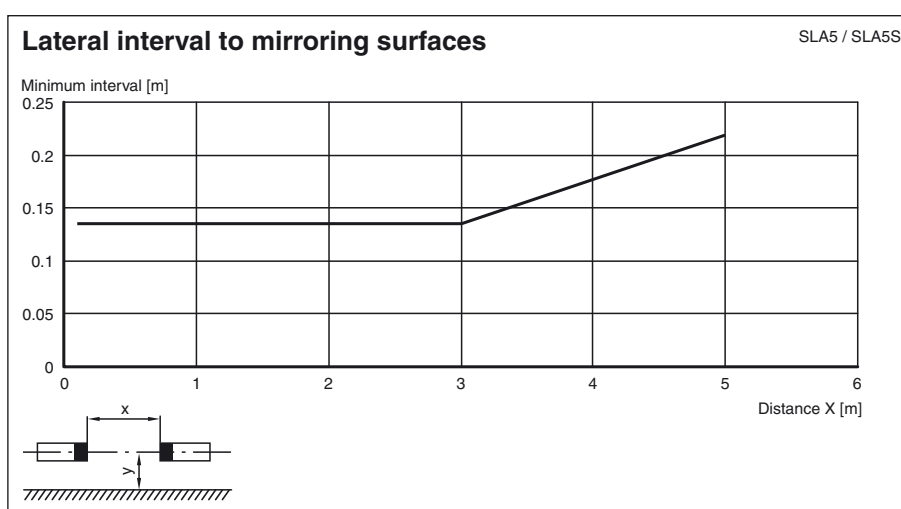
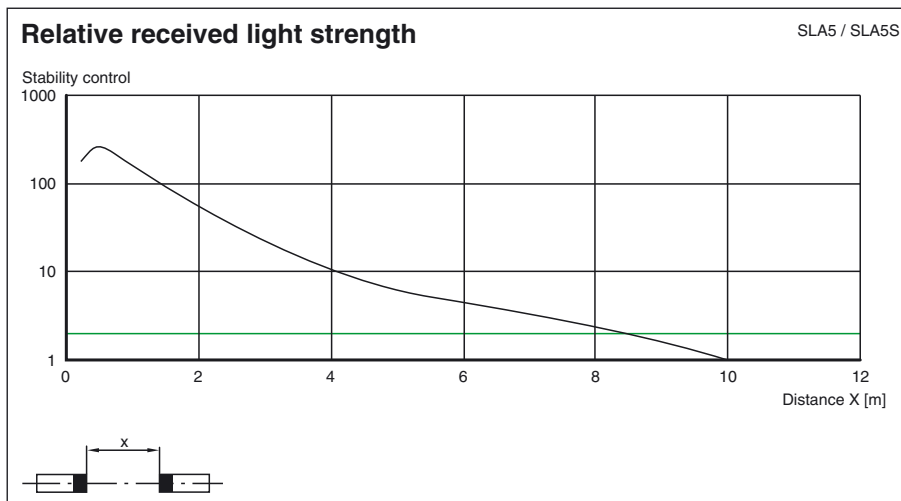
**General information**

System components	
Emitter	SLA5-T/92
Receiver	SLA5-R/92

**Curves/Diagrams**



Release date: 2009-12-14 11:10 Date of issue: 2009-12-14 11:4406\_ENG.xml



## System accessories

### Control units

SB4 (SafeBox)

### Cable sockets (only for option /92)

straight: V1-G-2M-PVC  
 V1-G-5M-PVC  
 V1-G-10M-PVC

angled: V1-W-2M-PVC  
 V1-W-5M-PVC  
 V1-W-10M-PVC

### Further accessories

Redirection mirror  
 SLA-1-M

Release date: 2009-12-14 11:10 Date of issue: 2009-12-14 114406\_ENG.xml