

**Model Number**

**SLP10-3**  
Safety light grid

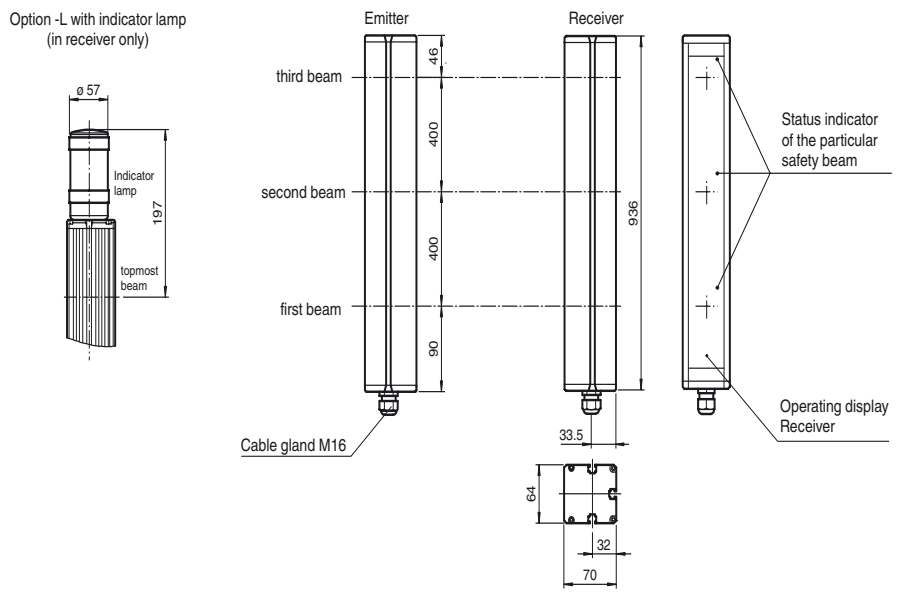
**Features**

- Sensing range up to 10 m
- Self-monitoring (type 4 according to IEC/EN 61496-1)
- 3-radial design
- Beam spacing 400 mm
- Red transmission light
- Integrated function display
- Pre-fault indication
- Operation on control units of SB4 (SafeBox)

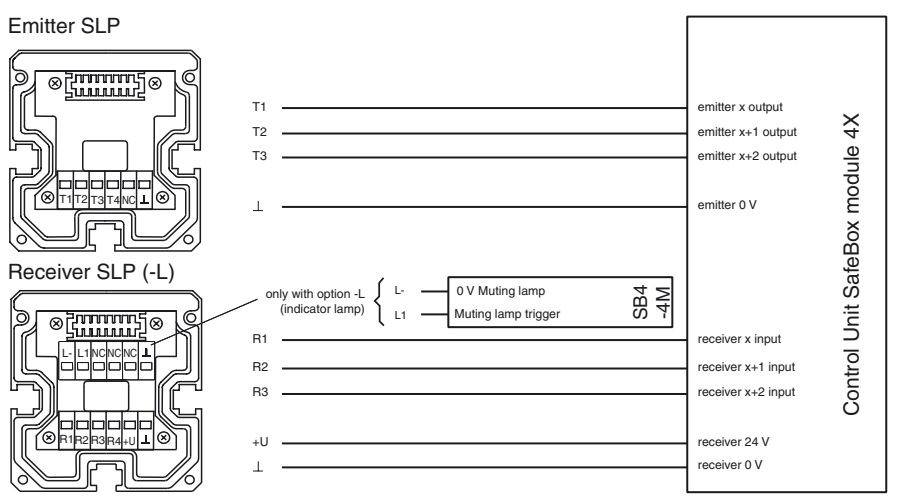
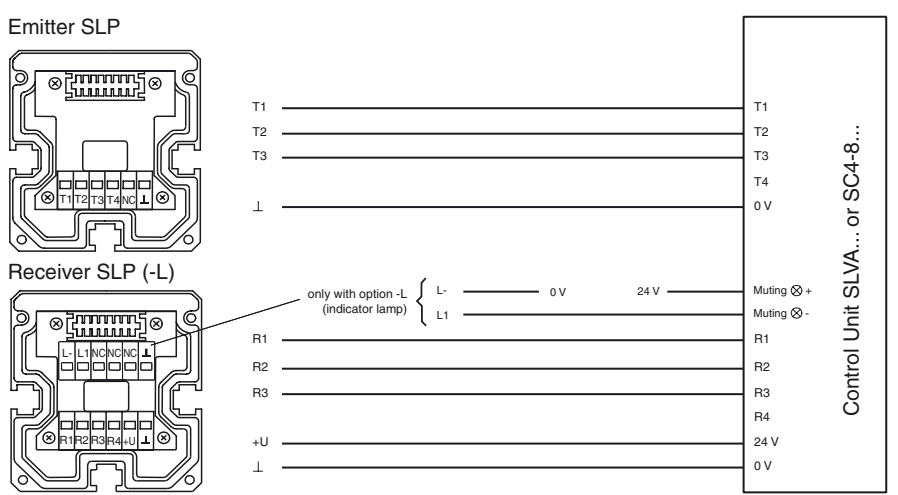
**Accessories**

- SLP-X-M**  
Deviation mirror for SLP
  - MS SLP**  
Mounting bracket for Light grid
  - PG SLP-X**  
Protective glass panes for SLP series
  - PG HOLDER SLP**  
Holders for SLP protective glass panes
  - PA SLP/SLC**  
Profile alignment aid
  - BA SLP**  
laser alignment aid for safety light grids series SLP
  - UC SLP/SLC**  
Floor stand for all series SLP/SLC devices
- Additional accessories can be found in the Internet.

**Dimensions**



**Electrical connection**



Release date: 2012-10-16 10:09 Date of issue: 2012-10-16 114405\_eng.xml

**Technical data**

**General specifications**

Effective detection range	0.2 ... 10 m
Light source	LED
Light type	modulated visible red light
Approvals	TÜV
Tests	IEC/EN 61496
Safety type according to IEC/EN 61496	4
Marking	CE
Target size	static: 32 mm dynamic: 50 mm (at v = 1.6 m/s of the obstacle)
Beam spacing	400 mm
Number of beams	3
Angle of divergence	< 5 °

**Functional safety related parameters**

Safety Integrity Level (SIL)	SIL 3
Performance level (PL)	PL e
Category	Cat. 4
Mission Time (T <sub>M</sub> )	20 a
PFH <sub>d</sub>	2.81 E-9
Type	4

**Indicators/operating means**

Operating display	LED red in receiver
Function display	LED red: per receiver channel off: Interruption flashes: receiver continuously on: reception with sufficient stability control
Pre-fault indication	Functional display flashing

**Electrical specifications**

Operating voltage	U <sub>B</sub>	Power supply via control unit
Protection class		III

**Ambient conditions**

Ambient temperature	-20 ... 60 °C (-4 ... 140 °F)
Storage temperature	-20 ... 70 °C (-4 ... 158 °F)
Relative humidity	max. 95 %, not condensing

**Mechanical specifications**

Protection degree	IP65
Connection	M16 cable gland , terminal compartment
Connection options	Further electrical connection options on request: Connector DIN 43 651 Hirschmann, emitter: 6-pin+PE, receiver: 11-pin+PE
Material	
Housing	extruded aluminum profile, RAL 1021 (yellow) coated
Optical face	Plastic pane
Mass	Per 3200 g

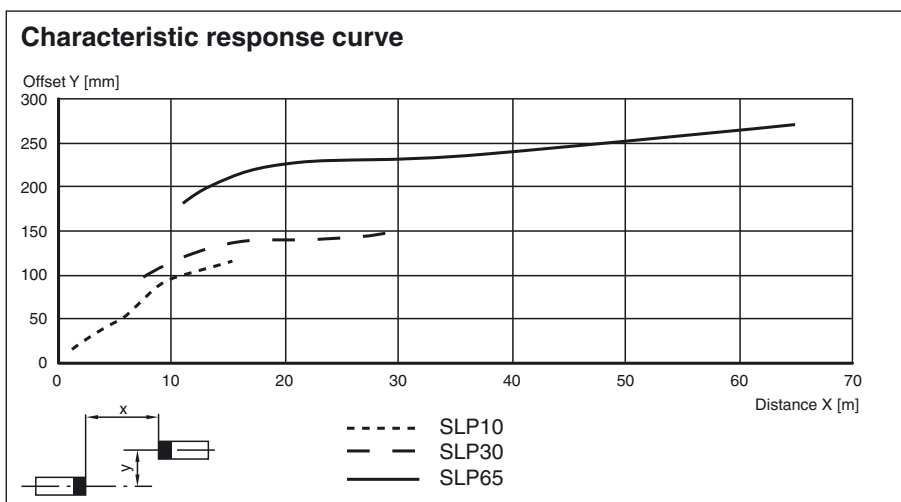
**General information**

System components	
Emitter	SLP10-3-T
Receiver	SLP10-3-R

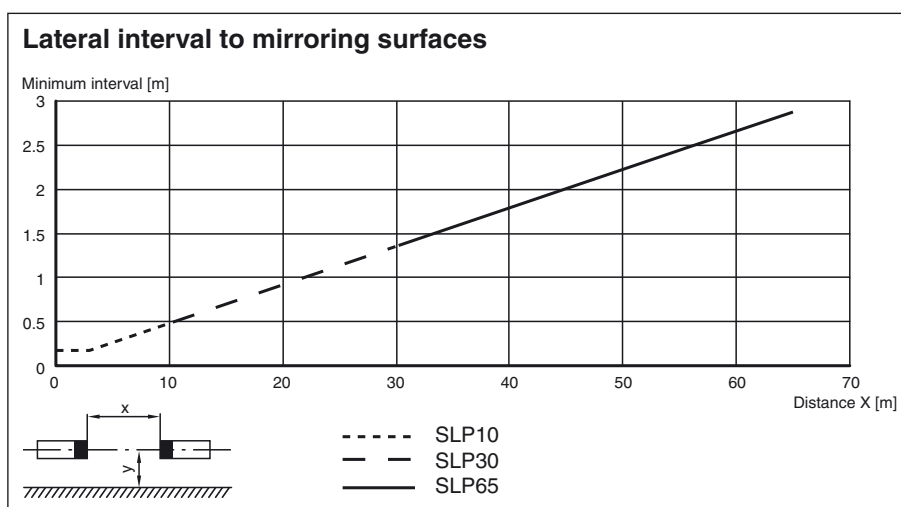
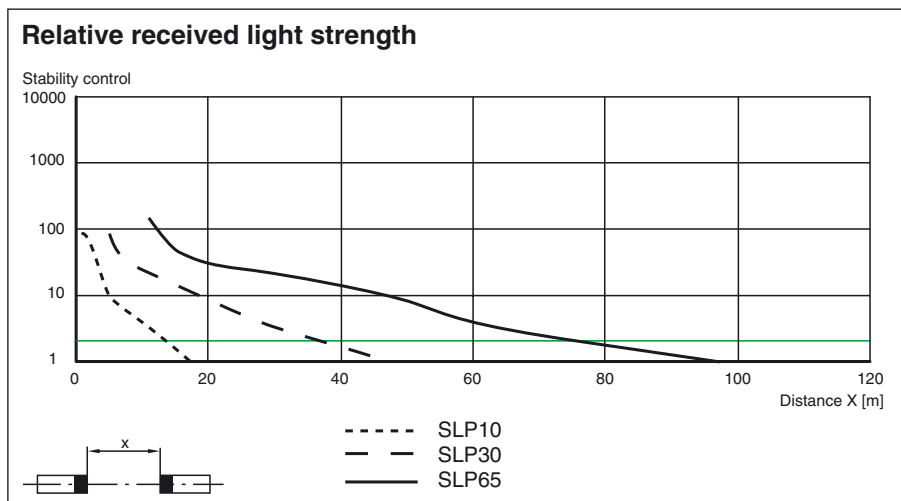
**Approvals and certificates**

CCC approval	Products with a maximum operating voltage of ≤36 V do not bear a CCC marking because they do not require approval.
--------------	--

**Curves/Diagrams**



Release date: 2012-10-16 10:09 Date of issue: 2012-10-16 11:4405\_eng.xml



#### System accessories

- Control unit SafeBox
- Mounting set MS SLP
- Protective glass pieces for SLP (to protect the optically functional surface)
- Ground pillar UC SLP/SLC
- Housing for pillar Enclosure UC SLP/SLC
- Collision protector Damping UC SLP/SLC
- Profile alignment aid
- Laser alignment aid SLP
- Redirection mirror for multi-side protection of hazardous areas SLP-...-M
- Muting Set MS SLP/SLA28 MS SLPCM

Release date: 2012-10-16 10:09 Date of issue: 2012-10-16 11:4405\_eng.xml