



### Model Number

TC-6A-V

### Features

- Counter/Timer/Tachometer with analog voltage and current output
- Bright 6-digit LED indicator
- AC/DC multi-range power pack
- Counter frequency up to 25 kHz
- Power supply for pulse generator
- 2 separate switch inputs
- Menu driven operation
- Protection degree IP64 in accordance with DIN EN 60529 (front only)
- Including hardware for control panel mounting

### Technical data

#### General specifications

Data storage	10 years, EEPROM
Programming	keypad-driven menu

#### Indicators/operating means

Type	7-segment LED display, red
Number of digits	6
Display value	digit height 15 mm
Display interval	-99999 ... 999999
Decimal point	freely adjustable
Scale factor	0.0001 ... 9.9999
Reset	manually/external/automatically

#### Electrical specifications

Operating voltage	$U_B$	115 ... 230 V AC 16 ... 35 V DC
Power consumption	$P_0$	7.5 VA

#### Input

Counting frequency	25 kHz (Timer function 1 kHz)
Impedance	4.7 kOhm (positive logic)
Voltage	low: 0 ... 3.5 V DC high: 9 ... 35 V DC

#### Output

Analog voltage output	-10/0 ... 10 DC
Analog current output	0/4 ... 20 mA
Linearity	<0.1 %
Sensor supply	24 V DC, 150 mA

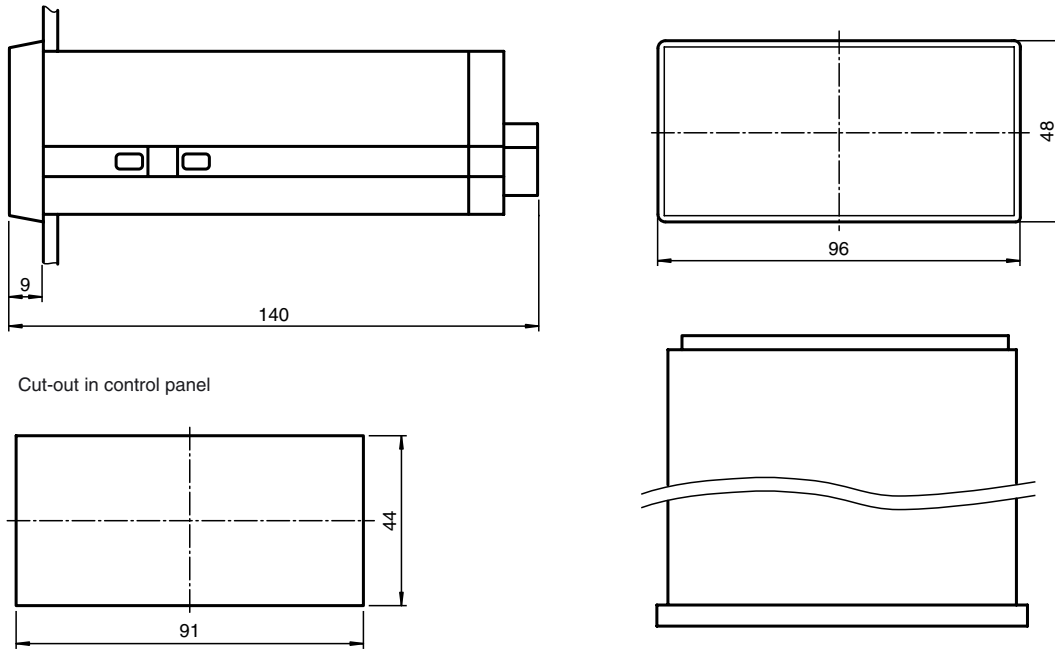
#### Ambient conditions

Ambient temperature	0 ... 45 °C (32 ... 113 °F)
Storage temperature	-25 ... 70 °C (-13 ... 158 °F)
Relative humidity	45 ... 90 % (noncondensing)

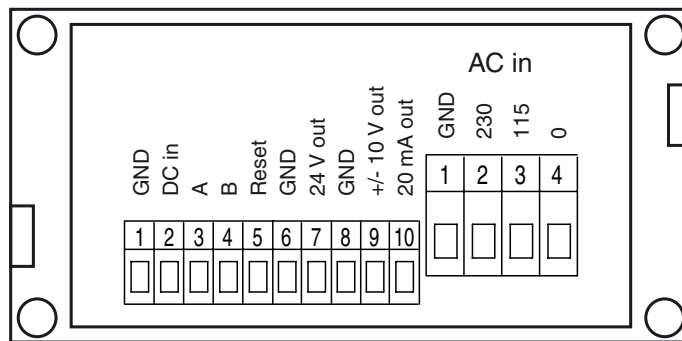
#### Mechanical specifications

Connection	screw terminals, removable max. core cross-section 0.34 ... 1.5 mm <sup>2</sup> (AC max. 2.5 mm <sup>2</sup> )
Mass	approx. 450 g
Dimensions	96 x 48 x 140 mm

Dimensions



Electrical connection



Release date: 2012-02-03 16:33 Date of issue: 2012-02-03 114354\_eng.xml