

Model Number

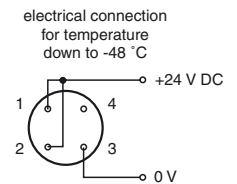
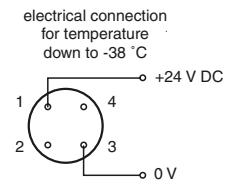
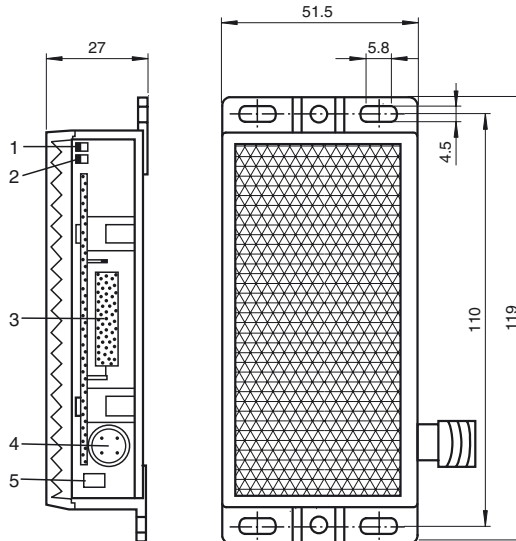
REF-HEATER120

Reflector, rectangular 120 mm x 51 mm, mounting holes, heatable 24 V DC

Features

- Mounting holes for simple installation

Dimensions



1	green LED, power on indication
2	red LED, light with active heating
3	Heating
4	Socket
5	Temperature sensor

Technical data

General specifications

Construction type	rectangular
-------------------	-------------

Electrical specifications

Operating voltage	U_B	24 V DC
Operating current		200 mA
Power consumption	P_0	max. 4.8 W

Ambient conditions

Ambient temperature	-20 ... 60 °C (-4 ... 140 °F)
---------------------	-------------------------------

Mechanical specifications

Connection	connector M12 x 1, 4-pin
Dimensions	119 mm x 51.5 mm x 27 mm
Mounting	mounting holes

CAUTION:

Mount the reflector on a fireproof surface.
Do **not** use the reflector in potentially explosive spaces or near combustibles.

Release date: 2011-03-28 07:42 Date of issue: 2011-03-28 113964_ENG.xml