



### Model Number

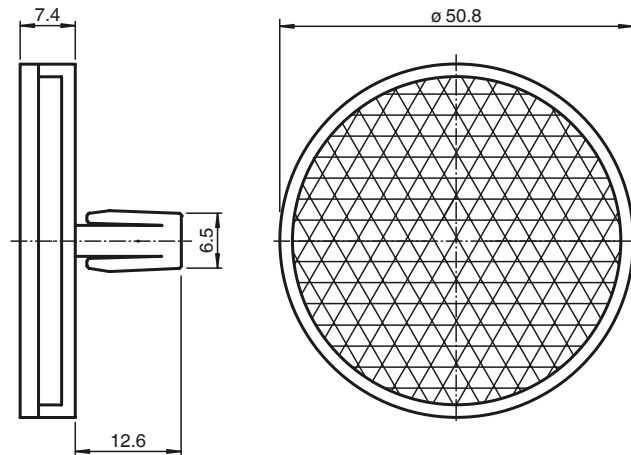
**REF-CLIP50HT**

Reflector, round  $\varnothing$  50 mm, snap-in, high temperature applications

### Features

- Simple installation with snap-in fastener
- With extended temperature range up to 110 °C (230 °F)

### Dimensions



### Technical data

#### General specifications

Construction type circular

#### Ambient conditions

Ambient temperature -20 ... 110 °C (-4 ... 230 °F)

#### Mechanical specifications

Dimensions Diameter: 50 mm

Mounting Snap-in