

CE

Model Number

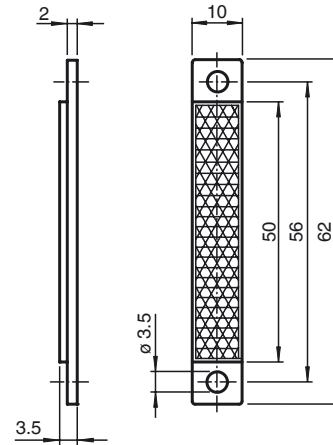
REF-MH56

Reflector with Micro-structure, rectangular 62 mm x 10 mm, mounting holes

Features

- Mounting holes for simple installation
- Micro-structure

Dimensions



Technical data

General specifications

Construction type	rectangular
Tripel height	approx. 1.2 mm

Ambient conditions

Ambient temperature	-20 ... 85 °C (-4 ... 185 °F)
---------------------	-------------------------------

Mechanical specifications

Material	PMMA/ABS
Dimensions	62 mm x 10 mm x 3.5 mm
Mounting	mounting holes