

Model Number

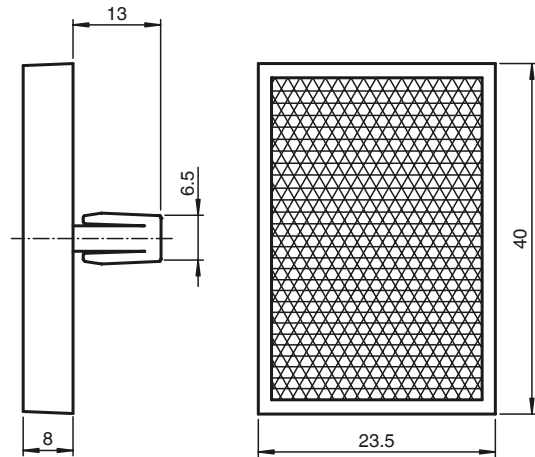
REF-CLIP40

Reflector, rectangular 40 mm x 23.5 mm, snap-in

Features

- Simple installation with snap-in fastener

Dimensions



Technical data

General specifications

Construction type rectangular

Ambient conditions

Ambient temperature -20 ... 85 °C (-4 ... 185 °F)

Mechanical specifications

Material PMMA/ABS

Dimensions 40 mm x 23.5 mm x 8 mm

Mounting Snap-in