

LS1-GA-2545

Single path light beam switch

LS1-GA-2545

CE

- ◆ Scratch-resistant and solvent resistant optical covering made of glass
- ◆ Clearly visible LED functional display
- ◆ Sturdy housing
- ◆ Light adjuster
- ◆ Plug connection



Release date: 2005-07-28 16:56 Date of issue: 2005-08-10 11:36:42_ENG.xml

General specifications

Effective detection range	0 ... 400 mm
Light source	IRED
Approvals	CE
Tests	EN 60947-5-2
Marking	CE
Light type	infrared, modulated light

Indicators/operating means

Function display	LED red: illuminates upon detection
------------------	-------------------------------------

Electrical specifications

Operating voltage	10 ... 30 V DC
Ripple	10 %
No-load supply current I_0	≤ 40 mA at $U_B = 30$ V

Output

Switching type	light/dark switching
Signal output	2 pnp, antivalent, short-circuit proof, open collectors
Switching voltage	max. 30 V DC
Switching current	max. 200 mA
Switching frequency f	170 Hz
Response time	2 ms

Standard conformity

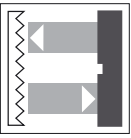
Standards	EN 60947-5-2
-----------	--------------

Ambient conditions

Ambient temperature	-20 ... 60 °C (253 ... 333 K)
Storage temperature	-20 ... 75 °C (253 ... 348 K)

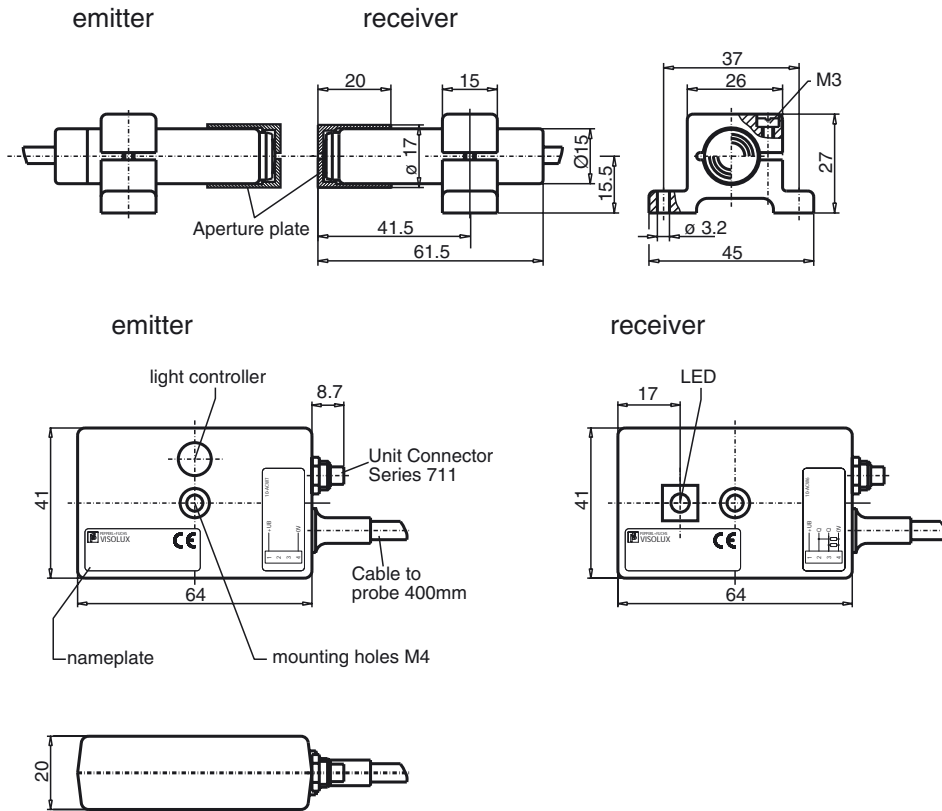
Mechanical specifications

Protection degree	IP50
Connection	Flange connector series 711, 4-pin
Material	
Housing	brass, chromium plated
Optical face	glass
Mass	200 g (device)

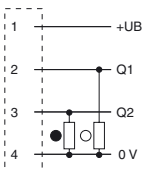


LS1-GA-2545

Dimensions



electrical connection



o = light ON, • = dark ON