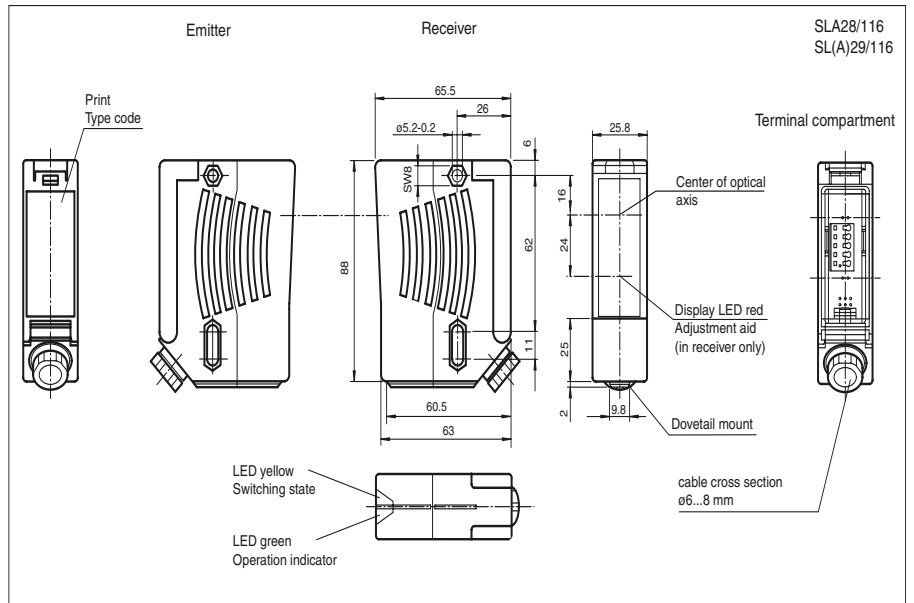




**Dimensions**



SLA28/116  
SL(A)29/116

**Model Number**

**SLA28/35/106/116 R=65m**

Safety thru-beam sensor  
with terminal compartment

**Features**

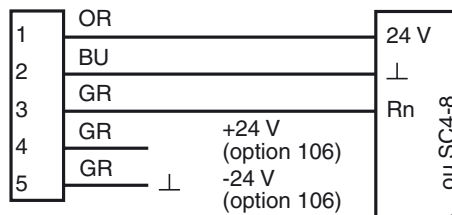
- Detection range up to 65 m
- Self-monitoring (type 4 according to IEC/EN 61496-1)
- Red transmission light
- Integrated alignment aid
- Clearly visible LED functional display and pre-fault indicator on the receiver
- Extended temperature range up to -35 °C with heated front panel
- Sturdy housing
- Waterproof, protection class IP67
- Operation on control units of SB4 (SafeBox)

**Accessories**

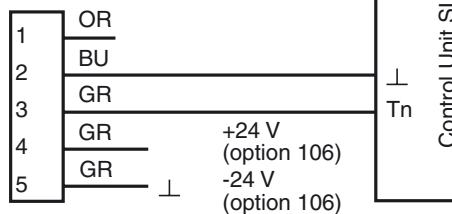
**OMH-21**  
Mounting aid

**Electrical connection**

Design with terminal room  
Receiver:



Emitter:



Release date: 2009-12-14 11:09 Date of issue: 2009-12-14 11:2352\_ENG.xml

Additional accessories can be found in the Internet.

**Technical data**

**General specifications**

Effective detection range	6 ... 65 m
Number of protective field beams	1
Light source	LED
Light type	red, modulated light
Approvals	TÜV
Tests	IEC/EN 61496
Safety type according to IEC/EN 61496	4
Marking	CE, cULus
Obstacle size	static: 30 mm dynamic: 40 mm (at v = 1.6 m/s of the obstacle)
Alignment aid	LED red in receiver
Angle of divergence	< 5 °

**Functional safety related parameters**

Safety Integrity Level (SIL)	SIL 3
Performance level (PL)	PL e
Category	Cat. 4
Mission Time (T <sub>M</sub> )	20 a
PFH <sub>d</sub>	4.4 E-10

**Indicators/operating means**

Function display	LED yellow/green in receiver: off: Interruption yellow: transmission green: reception with sufficient stability control
Pre-fault indication	LED functional display yellow

**Electrical specifications**

Operating voltage	U <sub>B</sub>	Power supply via control unit
-------------------	----------------	-------------------------------

**Ambient conditions**

Ambient temperature	-40 ... 60 °C (233 ... 333 K) with heated optical face, fixed voltage 24 V DC ± 20 %/50 mA	
Storage temperature	-20 ... 70 °C (253 ... 343 K)	
Relative humidity	max. 95 %, not condensing	

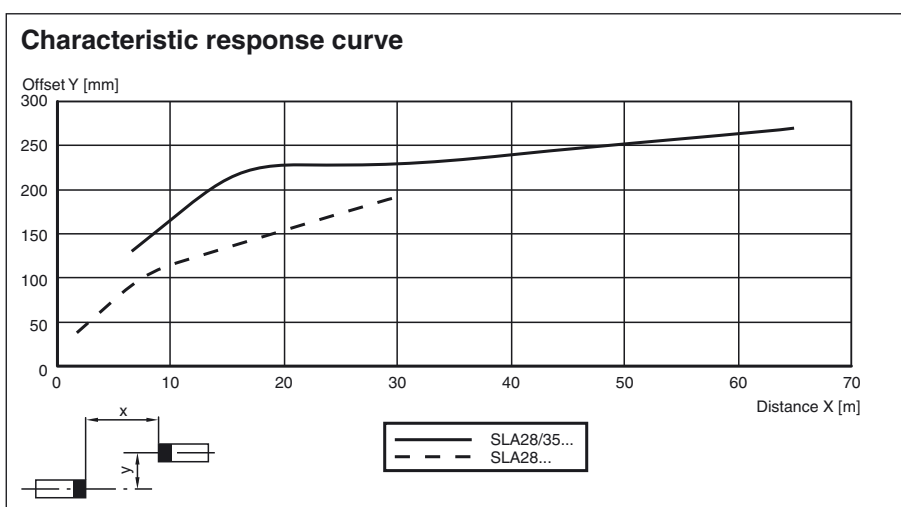
**Mechanical specifications**

Protection degree	IP67	
Connection	Cable screwed connection M16 , terminal compartment, lead cross-section 1.5 mm <sup>2</sup>	
Material	Housing: ABS plastic, RLA 1021 (yellow) painted Optical face: Plastic pane	
Mass	Per 70 g	

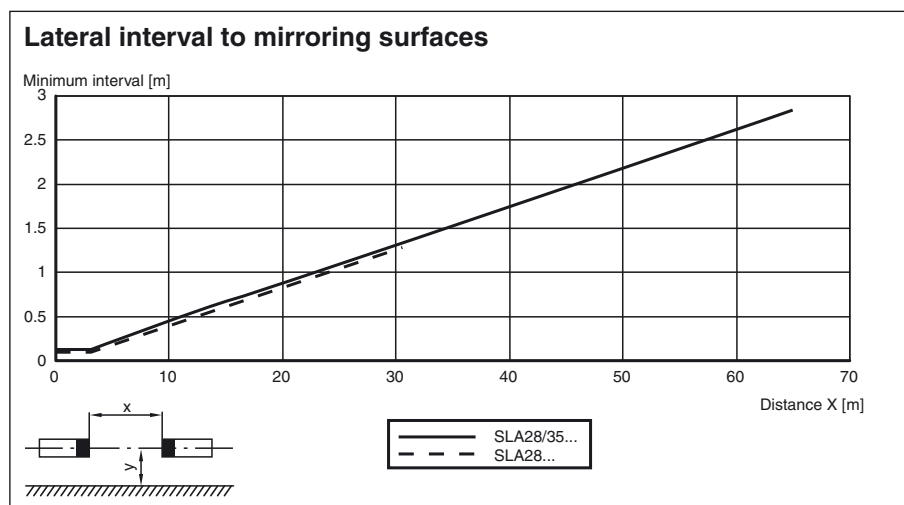
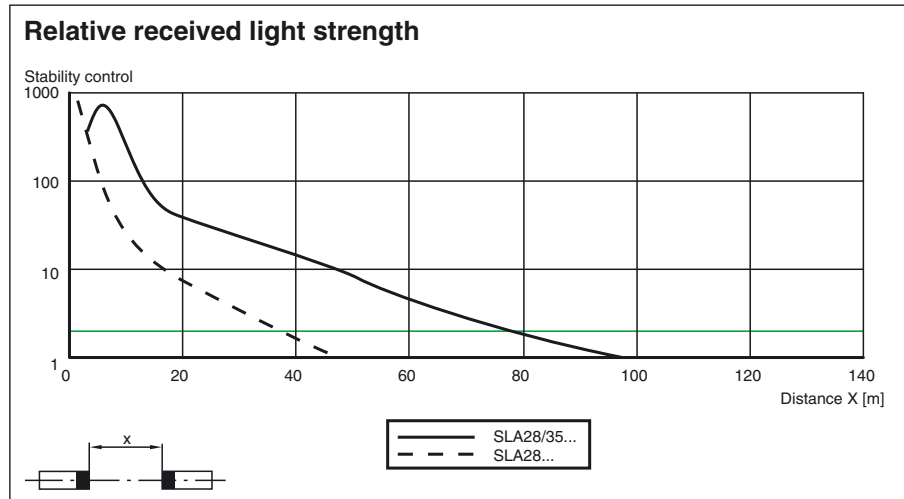
**General information**

System components	Emitter: SLA28-T/35/106/116 R=65m Receiver: SLA28-R/35/106/116 R=65m	
-------------------	-------------------------------------------------------------------------	--

**Curves/Diagrams**



Release date: 2009-12-14 11:09 Date of issue: 2009-12-14 11:25:21 ENG.xml



## Additional information

For much easier alignment even for long distance applications, an additional red LED is located in the receivers optics:

- LED constantly illuminated:  
signal strength < switching level
- LED flashes:  
signal strength is between 1-fold switching level and 2-fold switching level
- LED off:  
signal strength  $\geq$  2-fold switching level (function reserve)

## System accessories

### Control units

SLVA4-K plus  
 SLVA8-K  
 SC4-8

### Cable sockets

Option /105:

straight: V15-G-2M-PVC  
 V15-G-5M-PVC  
 V15-G-10M-PVC  
 angled: V15-W-2M-PVC  
 V15-W-5M-PVC  
 V15-W-10M-PVC

Release date: 2009-12-14 11:09 Date of issue: 2009-12-14 11:2352\_ENG.xml

Option /116: no

**Mounting aids**

OMH-21  
OMH-22  
OMH-05  
OMH-MLV11-K

**Further accessories**

Laser alignment aid  
BA SLA28

Muting Set  
MS SLP/SLA28

Redirection mirror  
SLA-1-M