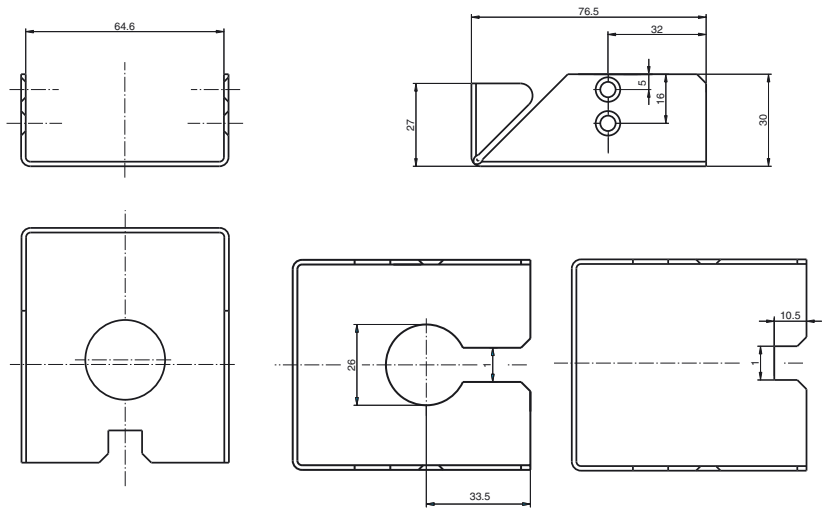




Dimensions



Model number

PG HOLDER SLP

Holders for SLP protective glass panes

Features

- Bracket for mounting the glass panel for the protection of the light outlet surface of safety light grids and curtains

Packaging unit 4-piece

Technical data

Ambient conditions

Storage temperature -40 ... 85 °C (233 ... 358 K)

Mechanical specifications

Material Metal sheet (steel), nickel-plated

Suitable series

Safety Series SLP