



Model Number

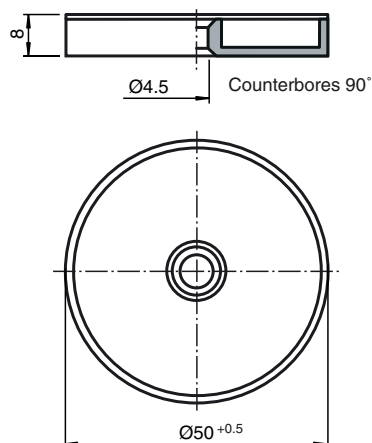
ICC-50A

Code carrier

Features

- Battery-free code carrier
- 28 bit fix code
- Protection degree IP67

Dimensions



Technical data

General specifications

| | |
|---------------------|------------|
| Operating frequency | 250 kHz |
| Transfer rate | 7.8 kBit/s |

Memory

| | |
|-------------|--|
| Chip Type | Pepperl+Fuchs |
| Type/Size | ROM 64 bit (28 bit code, 36 bit data security) |
| Read cycles | unlimited |

Ambient conditions

| | |
|---------------------|--------------------------------|
| Ambient temperature | -25 ... 70 °C (-13 ... 158 °F) |
| Storage temperature | -40 ... 85 °C (-40 ... 185 °F) |

Mechanical specifications

| | |
|------------------------|----------------|
| Protection degree | IP67 |
| Material | |
| Housing | PBT |
| Encapsulation compound | CY 221/HY 2966 |

Compliance with standards and directives

| | |
|---------------------|----------|
| Standard conformity | |
| Protection degree | EN 60529 |

Notes

The surface containing the text must face the read/write head.