



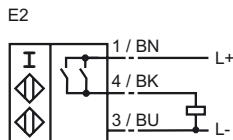
### Model Number

NJ20+U1+E2-Y110826

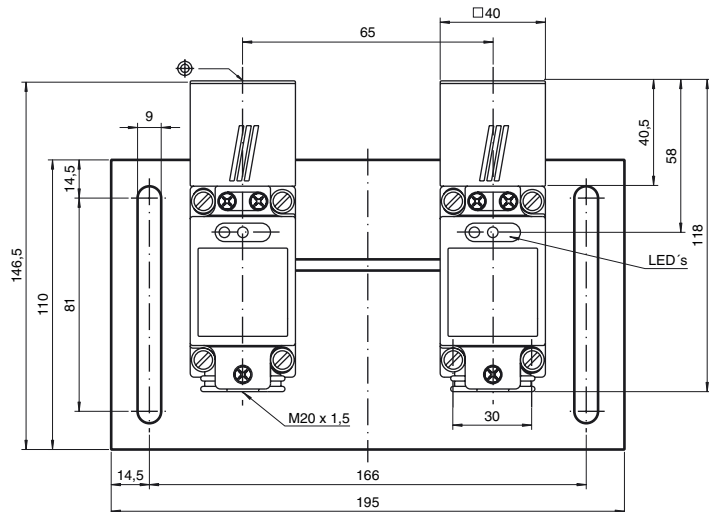
### Features

- Comfort series
- 20 mm not embeddable
- Metric cable gland M20 x 1.5
- 2 proximity switches on assembly plate

### Connection



### Dimensions



### Technical Data

#### General specifications

Switching element function		PNP	NO
Rated operating distance	$s_n$	20 mm	
Installation		not embeddable	
Output polarity		DC	
Assured operating distance	$s_a$	0 ... 24.3 mm	
Reduction factor $r_{AI}$		0.45	
Reduction factor $r_{Cu}$		0.4	
Reduction factor $r_{V2A}$		0.8	

#### Nominal ratings

Operating voltage	$U_B$	10 ... 60 V
Switching frequency	$f$	0 ... 100 Hz
Hysteresis	$H$	1 ... 10 typ. 5 %
Reverse polarity protected		reverse polarity protected
Short-circuit protection		pulsing
Voltage drop	$U_d$	$\leq 2.8$ V
Operating current	$I_L$	2 x 0 ... 200 mA
Off-state current	$I_r$	0 ... 1 mA typ. 0.02 mA
No-load supply current	$I_o$	$\leq 20$ mA
Operating voltage display		LED, green
Indication of the switching state		LED, yellow

#### Standard conformity

Standards	IEC / EN 60947-5-2:2004
-----------	-------------------------

#### Ambient conditions

Ambient temperature	-25 ... 70 °C (-13 ... 158 °F)
Storage temperature	-25 ... 85 °C (-13 ... 185 °F)

#### Mechanical specifications

Connection type	
Core cross-section	up to 2.5 mm <sup>2</sup>
Housing material	Proximity switch: PBT Assembly plate: aluminium
Sensing face	PBT
Protection degree	IP68